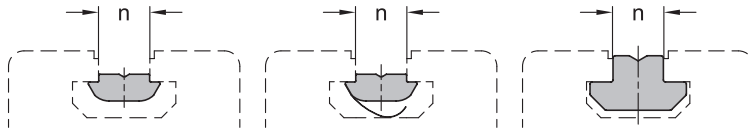


3 Type

- V** With anti-twist protection
- F** With anti-twist protection, with spring
- S** Heavy

Use



Specification

- Steel, zinc plated, blue passivated finish **SZ**
- RoHS



Information

T-nuts GN 50b fasten attachments and accessories in the slot of aluminum profiles.

The spring of type F secures the T-nut against unwanted slipping in the groove, making installation easier.

T-nuts of types V and F can be swiveled into the slot at any position.

see also...

- Aluminum Profiles GN 10b (Profile Type Light) → page QVX
- Aluminum Profiles GN 10b (Profile Type Heavy) → page QVX

How to order

GN 50b-10M8-V-SZ

1	Slot width n
2	Thread d
3	Type
4	Material / Finish

Metric table

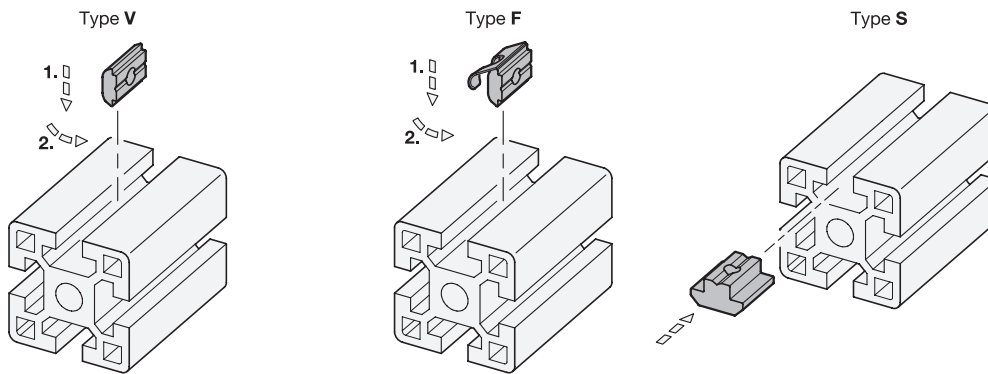
Dimensions in: millimeters - inches

Type V n	d				b	h ₁	h ₂	Length l
	M 4	M 5	M 6	M 8				
8 0.31	M 4	M 5	M 6	M 8	11.6 0.46	3.8 0.15	1 0.04	16 0.63
10 0.39	M 4	M 5	M 6	M 8	14 0.55	3.8 0.15	1.5 0.06	20 0.79

Type F n	d				b	h ₁	h ₂	h ₃ ≈	Length l
	M 4	M 5	M 6	M 8					
8 0.31	M 4	M 5	M 6	M 8	11.6 0.46	3.8 0.15	1 0.04	8 0.31	16 0.63
10 0.39	M 4	M 5	M 6	M 8	14 0.55	3.8 0.15	1.5 0.06	12 0.47	20 0.79

Type S n	d				b	h ₁	h ₂	Length l
	M 4	M 5	M 6	M 8				
6 0.24	M 4	M 5	M 6	-	9.6 0.38	3 0.12	1 0.04	10 0.39
8 0.31	M 4	M 5	M 6	M 8	15.8 0.62	4 0.16	2 0.08	16 0.63
10 0.39	M 4	M 5	M 6	M 8	19.5 0.77	5.5 0.22	5 0.20	20 0.79

Assembly instruction



3.1
3.2
3.3
3.4
3.5
3.6
3.7
3.8
3.9
3.10