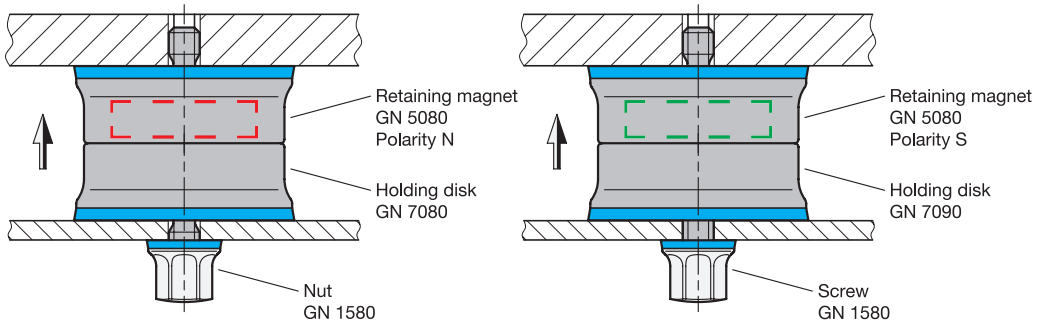
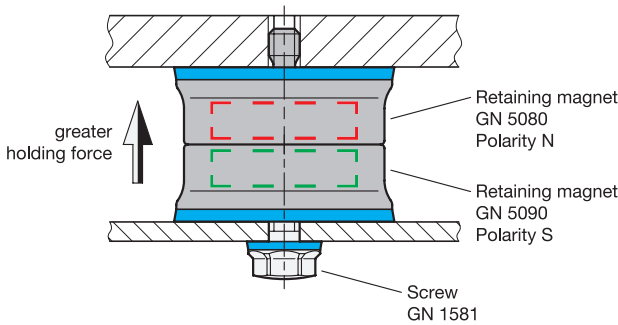


### Retaining magnet with holding disks



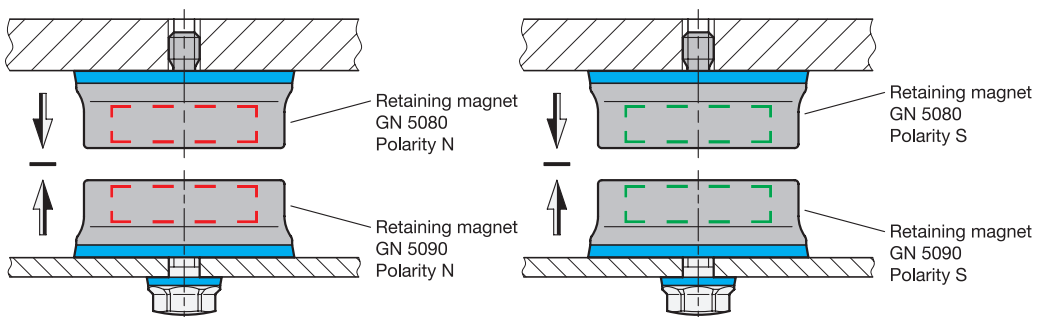
A normal holding force is achieved by combining retaining magnets with holding disks. Retaining magnets with north or south poles on the holding surface can be used equally.

### Two retaining magnets with opposite polarity



If two retaining magnets with opposite polarity are combined, an increased holding force is achieved.

### Two retaining magnets with the same polarity



Combining two retaining magnets with the same polarity creates a repelling force.