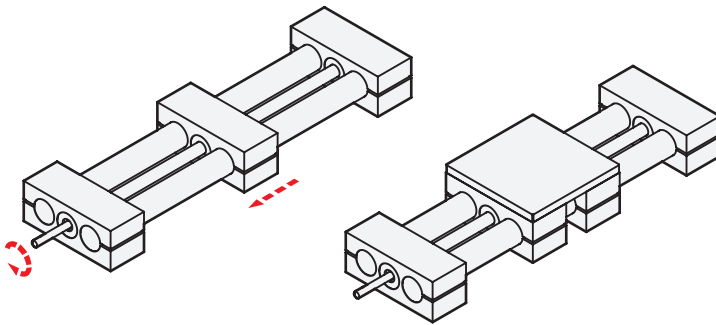


Double Tube Linear Actuators

Overview of Types

Description

GN 491 / GN 492 double tube linear actuators
(→ page 1970 / page 1974)
with right **or** left hand thread,
shaft journal at one end or both ends.



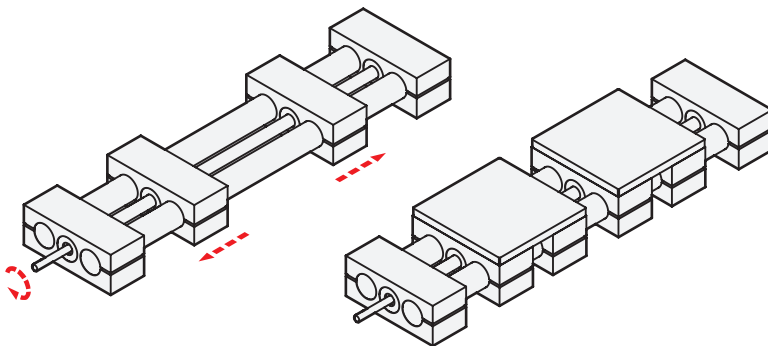
GN 491

GN 492

Description

GN 493 / GN 494 double tube linear actuators
with right **and** left hand thread,
shaft journal at one end or both ends,
both sliders move symmetrically.

→ on request.



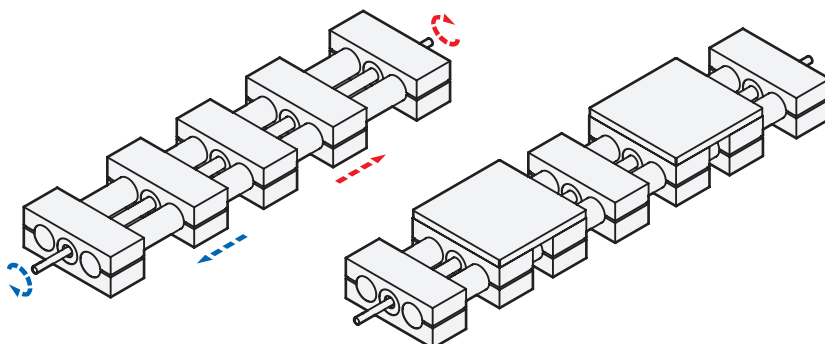
GN 493

GN 494

Description

GN 495 / GN 496 double tube linear actuators
with two separate threaded spindles,
each with right **or** left hand thread,
both sliders move independently of one another.

→ on request.



GN 495

GN 496