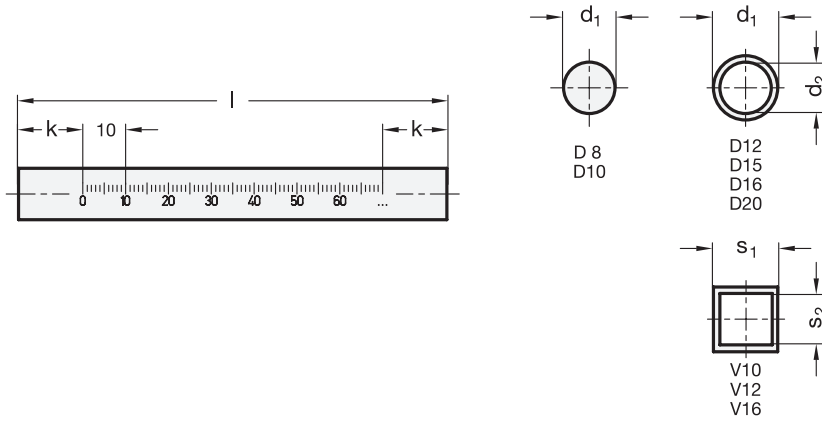


GN 480.1

Aluminum / Stainless Steel

Rods / Tubes

Round or Square, for Mounting Clamps



SS Stainless Steel

4 Type

OS Without scale

LS With scale (mm graduation)

Metric table

Dimensions in: millimeters - inches

1 d ₁ Round NI	1 s ₁ Square AL	2 Length l							d ₂	k	s ₂
		100	150	200	250	300	350	400			
D 8		3.94	5.91	7.87	9.84	11.81	13.78	15.75	-	15 0.59	-
D 10	V 10	3.94	5.91	7.87	9.84	11.81	13.78	15.75	-	15 0.59	7 0.28
D 12	V 12	3.94	5.91	7.87	9.84	11.81	13.78	15.75	9 0.35	15 0.59	9 0.35
D 15	-	3.94	5.91	7.87	9.84	11.81	13.78	15.75	12 0.47	20 0.79	-
D 16	V 16	3.94	5.91	7.87	9.84	11.81	13.78	15.75	13 0.51	20 0.79	13 0.51
D 20	-	3.94	5.91	7.87	9.84	11.81	13.78	15.75	16 0.63	25 0.98	-

Specification

- Round rods / tubes
Stainless steel AISI 304
Ground finish

NI

- Square tubes
Aluminum
Anodized finish, natural color

AL

- Scale precision laser engraved
- Stainless Steel Characteristics → page 2143
- RoHS compliant

3

Information

The outside dimensions of GN 480.1 rods / tubes are matched for use with mounting clamps.
The tubes can also be used as cable lead-through.

see also...

- Adjusting Rods / Tubes GN 480.3 / GN 480.5 → www.jwwinco.com
- Tube End Plugs EN 991 → page 1840

On request

- Special scales

How to order (Round)		1	Diameter d ₁
1 2 3 4		2	Length l
GN 480.1-D10-150-NI-LS		3	Material
		4	Type

How to order (Square)		1	Square s ₁
1 2 3 4		2	Length l
GN 480.1-V16-300-AL-OS		3	Material
		4	Type