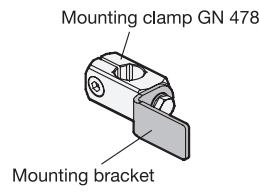
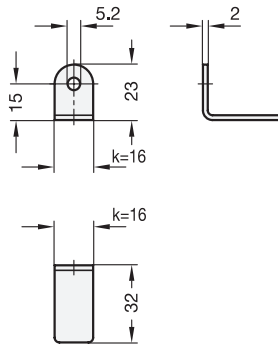
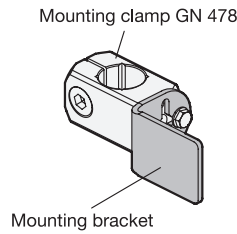
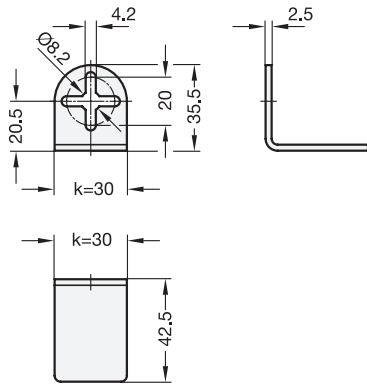


Swivel width k=16



SS Stainless Steel

Swivel width k=30



**Metric table**



Dimensions in: millimeters - inches

k
16 0.63
30 1.18

**Specification**

- Stainless steel AISI 303  
Matte shot-blasted finish
- *Stainless Steel Characteristics* → page 2143
- [RoHS compliant](#)

**Information**

GN 479.1 mounting brackets are designed as universal mounting elements, e.g. for integrating specific hole patterns.

The mounting hole matches the central thread of GN 478 attachment mounting clamps and GN 484 attachment swivel mounting clamps. For k = 30 mm, the cross-shaped slotted holes provide extra adjustability and allow the use of two mounting screws.

Mounting screws have to be ordered separately.

see also...

- *Attachment Mounting Clamps GN 478* → page 1827
- *Attachment Swivel Mountings Clamps GN 484* → [www.jwwinco.com](http://www.jwwinco.com)

How to order

**GN 479.1-16**

1 Width k