

EN 464.11

with Ball Thrust Point

EN 464.12

with Movable Thrust Pad

Knurled Thumb Screws

Plastic, High Type



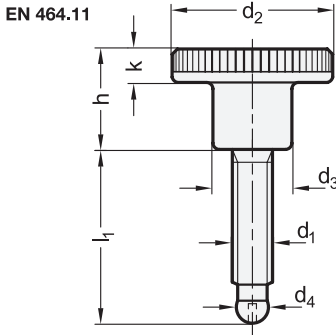
JW WINCO
A Ganter Company

Metric

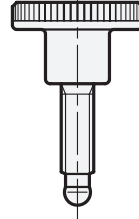


elesa

Original design DT.464-SB / -SV



Mounting example

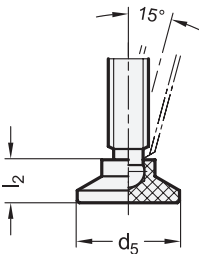


GN 631.2



GN 631.5

EN 464.12



Specification

Knurled screw

Plastic, polyamide (PA-HP)

- Glass fiber reinforced
- Operating temperature -22 °F to 212 °F (-30 °C to +100 °C)
- Black similar to RAL 9005, matte finish ● **SW**

GN 464.12

Thrust pad GN 631

Plastic, polyacetal (POM)

- Operating temperature up to 176 °F (+80 °C)
- Black, matte finish

RoHS

On request

- Gray, similar to RAL 7040, matte finish ○ **GR**

Knurled thumb screws EN 464.11 / EN 464.12 with ball thrust point can be combined with various thrust pads. They ensure a larger contact surface during clamping and protect surfaces from damage.

The ball thrust point, in combination with the thrust pad, forms a ball joint that adapts to uneven clamping surfaces and prevents the rotational movement from being transferred to the clamping surface during clamping. The thrust pads can be ordered separately or are supplied loose with EN 464.12 and are easy to assemble and disassemble.

For manufacturing reasons, the ball thrust point has a hole on its face side.

Technical Information

Plastic Characteristics

Page

QVX

Accessory

GN 631.2 Thrust Pads (NBR)

QVX

GN 631.5 Thrust Pads (Stainless Steel)

QVX

How to order (with Ball Thrust Point)

EN 464.11-M6-25-SW

- | | |
|---|--------------|
| 1 | Thread d_1 |
| 2 | Length l_1 |
| 3 | Color |

How to order (with Movable Thrust Pad)

EN 464.12-M8-35-32-SW

- | | |
|---|----------------|
| 1 | Thread d_1 |
| 2 | Length l_1 |
| 3 | Diameter d_5 |
| 4 | Color |

1.1
1.2
1.3
1.4
2.1
2.2
2.3
2.4



Metric table

	1	2	3								Dimensions in: millimeters / inches
d₁	l₁		d₅	d₂	d₃	d₄	h	k	l₂	Max. tightening torque in Nm	
M 6	25 0.98	35 1.38	15 0.59	24 0.94	12 0.47	4.5 0.18	15 0.59	5 0.20	7.6 0.30	1	
M 6	35 1.38	35 1.38	18 0.71	24 0.94	12 0.47	4.5 0.18	15 0.59	5 0.20	9.2 0.36	1	
M 6	25 0.98	35 1.38	21 0.83	24 0.94	12 0.47	4.5 0.18	15 0.59	5 0.20	10 0.39	1	
M 6	25 0.98	35 1.38	25* 0.98	24 0.94	12 0.47	4.5 0.18	15 0.59	5 0.20	10.5 0.41	1	
M 6	25 0.98	35 1.38	32* 1.26	24 0.94	12 0.47	4.5 0.18	15 0.59	5 0.20	11 0.43	1	
M 8	30 1.18	35 1.38	15* 0.59	30 1.18	16 0.63	6.1 0.24	18 0.71	6 0.24	7.6 0.30	2.5	
M 8	35 1.38	35 1.38	18 0.71	30 1.18	16 0.63	6.1 0.24	18 0.71	6 0.24	9.2 0.36	2.5	
M 8	30 1.18	35 1.38	21 0.83	30 1.18	16 0.63	6.1 0.24	18 0.71	6 0.24	10 0.39	2.5	
M 8	30 1.18	35 1.38	25 0.98	30 1.18	16 0.63	6.1 0.24	18 0.71	6 0.24	10.5 0.41	2.5	
M 8	30 1.18	35 1.38	32 1.26	30 1.18	16 0.63	6.1 0.24	18 0.71	6 0.24	11 0.43	2.5	
M 8	30 1.18	35 1.38	40 1.57	30 1.18	16 0.63	6.1 0.24	18 0.71	6 0.24	13 0.51	2.5	

* only available in black