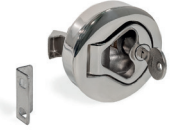
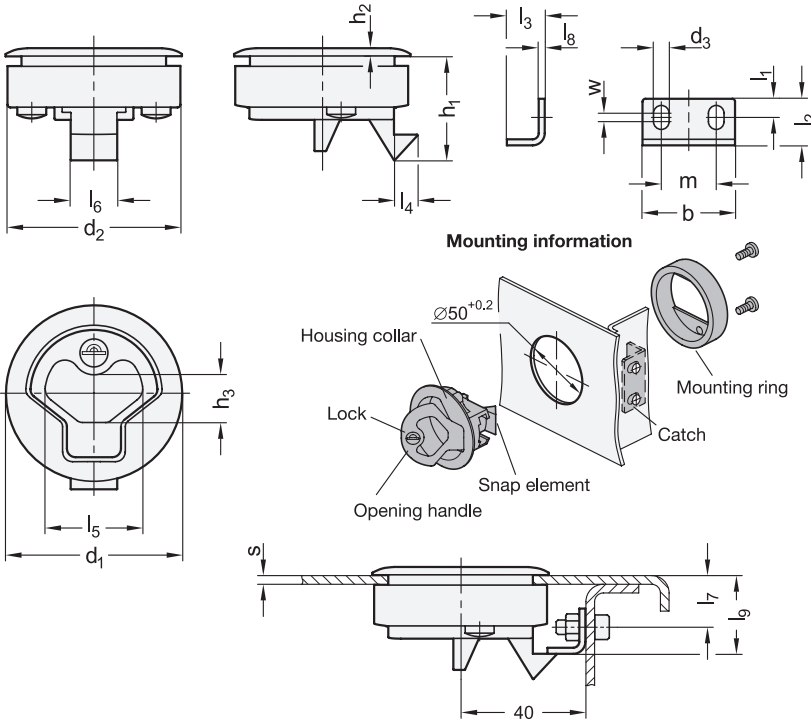


Metric



SS Stainless Steel

2 Type

OS Without lock
SC With lock

Metric table

1

Dimensions in: millimeters / inches

d ₁	Wall thickness	b	d ₂	d ₃	h ₁	h ₂	h ₃	l ₁	l ₂	l ₃	l ₄ ≈	l ₅	l ₆	l ₇	l ₈	l ₉	m	w	
	Nominal size	s																Adjustable range	
61	A 1	1...5	32	60	5.5	36	3	16.5	6.5	16	13	8	33.5	16	18	1.2	27.5	19.5	3
2.40			1.26	2.36	0.22	1.42	0.12	0.65	0.26	0.63	0.51	0.31	1.32	0.63	0.71	0.05	1.08	0.77	0.12

Specification

3

Latch / Catch

- Stainless steel AISI 304
- Housing collar / Mounting ring / Opening handle
- Polished finish **PL**
- Pan head screws

Lock

Stainless steel AISI 316

Key

Brass, nickel plated

RoHS

Snap latches GN 449.5 combine the function of a gripping tray with that of a snap latch to provide an easy way to keep doors, covers and hoods closed. Once the mounting hole has been drilled, the housing is inserted into the hole in the door body when actuated and the mounting ring is pushed on from behind. The housing and mounting ring are connected with two supplied pan head screws.

The catch is mounted on the door profile or frame at a right angle to the snap element in accordance with the dimensions.

see also...

	Page
EN 449.1 Snap Door Latches	QVX
EN 449.4 Snap Latches (Plastic)	QVX

Technical Information

Stainless Steel Characteristics	QVX
---------------------------------	-----

How to order

GN 449.5-61-OS-PL

1	Diameter d ₁
2	Type
3	Finish

3.1
3.2
3.3
3.4
3.5
3.6
3.7
3.8
3.9
3.10