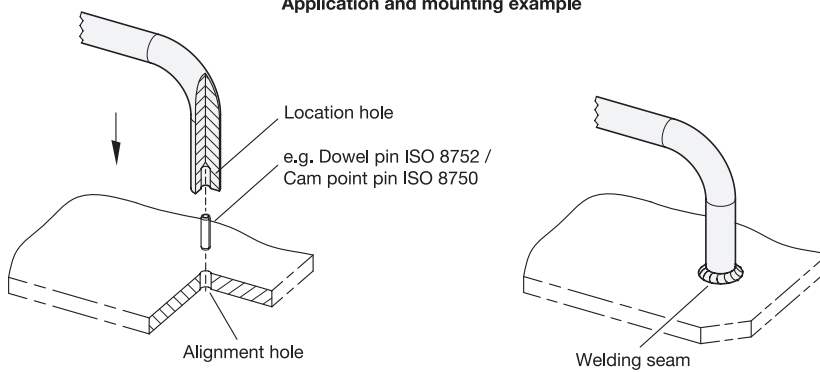


SS Stainless Steel

Application and mounting example



Metric table

Dimensions in: millimeters - inches

¹ d ₁	² Length l ±0.5			³ h		d ₂ H12	r	t
12 0.47	125 4.92	160 6.30	200 7.87	75 2.95	110 4.33	4 0.16	14 0.55	6 0.24
16 0.63	160 6.30	200 7.87	300 11.81	85 3.35	125 4.92	4 0.16	18 0.71	6 0.24

Specification

- Stainless steel AISI 304 **NI**
Matte shot-blasted finish
- Load Rating Information → page 2068
- ISO Fundamental Tolerances → page 2129
- Stainless Steel Characteristics → page 2143
- RoHS compliant

On request

- Other dimensions
- Other materials

Information

GN 435.3 cabinet U-handles in tall design are made from bent round profiles and are mounted by welding. They are designed for applications requiring a greater height for gripping. For example, this makes it possible to grab or hold the handle while wearing safety gloves. Some dimensions also comply with the crane access standard DIN EN 13856.

In addition to serving as a handle, they can also be used as hose guides, retaining brackets or similar. If required, the holes d₂ serve for inserting dowel pins or location pins that position the cabinet U-handle in place via the alignment holes in the opposing part and thus easily fix the handle during the welding process.

Due to the manufacturing process, special designs can be supplied even in relatively small quantities.

How to order	1	2	3	4
	Handle diameter d ₁	Length l	Height h	Material
GN 435.3-¹16-²300-³125-⁴NI				

1.1
1.2
1.3
1.4
2.1
2.2
2.3
2.4