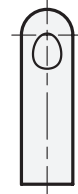
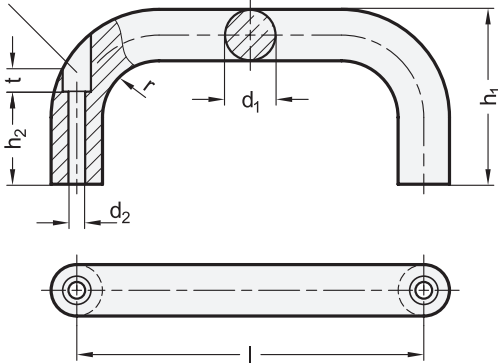


Bore for socket cap screw  
1/4" / 5/16" or  
ISO 4762-M6 / M8



Metric



**Metric table**

Dimensions in: millimeters / inches

<sup>2</sup> d <sub>1</sub>	<sup>3</sup> Length l	d <sub>2</sub>	h <sub>1</sub> ≈	h <sub>2</sub>	r	t ≈
20 0.79	200 7.87	6.5 0.26	68 2.68	36 1.42	22 0.87	9 0.35
20 0.79	250 9.84	6.5 0.26	68 2.68	36 1.42	22 0.87	9 0.35
20 0.79	300 11.81	6.5 0.26	68 2.68	36 1.42	22 0.87	9 0.35
20 0.79	350 13.78	6.5 0.26	68 2.68	36 1.42	22 0.87	9 0.35
28 1.10	250 9.84	9 0.35	78 3.07	34 1.34	32 1.26	11 0.43
28 1.10	300 11.81	9 0.35	78 3.07	34 1.34	32 1.26	11 0.43
28 1.10	350 13.78	9 0.35	78 3.07	34 1.34	32 1.26	11 0.43
28 1.10	400 15.75	9 0.35	78 3.07	34 1.34	32 1.26	11 0.43

**Specification**

**Aluminum**

**AL**

- Powder coated
  - Black, RAL 9005, textured finish
  - Silver, RAL 9006, textured finish
- Plain, tumbled finish

- **SW**
- **SR**
- **BL**

RoHS

Cabinet U-handles GN 426.2 are manufactured from a bent aluminum profile.

see also...

	Page
<b>GN 426</b> Cabinet U-Handles (Mounting from the Back)	QVX
<b>GN 426.6</b> Cabinet U-Handles (Offset Round Stainless Steel, Mounting from the Back)	QVX
<b>GN 426.1</b> Cabinet U-Handles (Offset Round Aluminum, Mounting from the Back)	QVX
<b>GN 426.4</b> Cabinet U-Handles (Offset Round Aluminum, Mounting from the Operator's Side)	QVX
<b>GN 426.5</b> Cabinet U-Handles (Stainless Steel, Mounting from the Back)	QVX

**Technical Information**

Load Capacity Information	QVX
---------------------------	-----

**How to order**

**GN 426.2-AL-28-250-SW**

- <sup>1</sup> **Material**
- <sup>2</sup> **Handle diameter d<sub>1</sub>**
- <sup>3</sup> **Length l**
- <sup>4</sup> **Finish**

