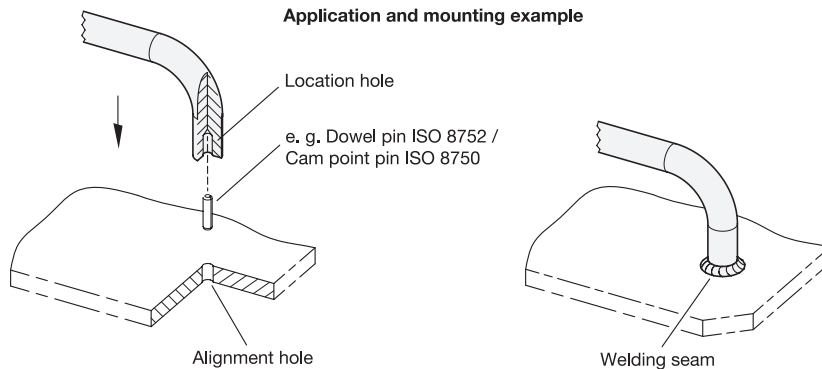


SS Stainless Steel

Application and mounting example



Universal table

Dimensions in: millimeters - inches

¹ d ₁	² Length l ±0.5			d ₂ H12	h	r	t
8 0.31	64 2.52	88 3.46	100 3.94	3 0.12	35 1.38	10 0.39	5 0.20
10 0.39	100 3.94	125 4.92	160 6.30	3 0.12	43 1.69	12 0.47	5 0.20
12 0.47	125 4.92	160 6.30	200 7.87	4 0.16	51 2.01	14 0.55	6 0.24
16 0.63	125 4.92	160 6.30	200 7.87	4 0.16	59 2.32	18 0.71	6 0.24
20 0.79	200 7.87	250 9.84	-	5 0.20	68 2.68	22 0.87	8 0.31

Specification

- Steel
Matte shot-blasted finish **ST**
- Stainless steel AISI 304
Matte shot-blasted finish **NI**
- *ISO Fundamental Tolerances* → page 2129
- *Stainless Steel Characteristics* → page 2143
- **RoHS compliant**

Information

GN 425.3 cabinet “U” handles have no thread and are designed for applications that require the handle to be welded or for applications that require special threads, holes, etc. for mounting.

If required, the holes d₂ serve for inserting dowel pins or location pins that position the cabinet “U” handle in place via the alignment holes in the opposing part and thus easily fix the handle during the welding process.

see also...

- *Tubular Cabinet “U” Handles GN 426.3 (Steel, Weldable)* → page 149
- *Cabinet “U” Handles GN 425 (Steel / Aluminum / Stainless Steel)* → page 138 / 140
- *Cabinet “U” Handles GN 426 (Aluminum)* → page 146

How to order	¹ ² ³	1 Handle diameter d ₁
		2 Length l
		3 Material
GN 425.3-12-160-NI		