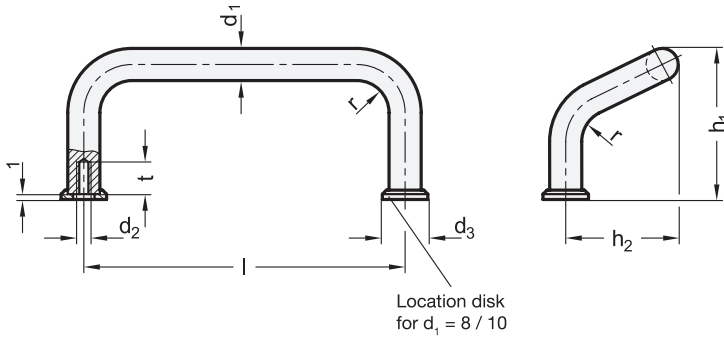


Metric



SS Stainless Steel

Metric table

2 3

Dimensions in: millimeters / inches

d ₁			Length l					d ₂	d ₃	h ₁	h ₂	r	t min.
NI	A4	AL	55*	64	88*	96	100	M 4	12	40	30	9	8
8 0.31	-	8 0.31	2.17	2.52	3.46	3.78	3.94		0.47	1.57	1.18	0.35	0.31
10 0.39	10 0.39	10 0.39	3.46	3.94	4.72	7.09	7.87	M 5	15 0.59	47 1.85	35 1.38	11 0.43	12 0.47
12 0.47	-	12 0.47	4.92	6.30	7.87	9.84	-	M 6	-	60 2.36	44 1.73	12 0.47	12 0.47

* Suitable for 19" rack and enclosure layout

Specification

1 4

Stainless steel	NI	
<ul style="list-style-type: none"> • AISI 303 for d₁ = 8, 10 mm • AISI 304 for d₁ = 12 mm • Matte shot-blasted finish • Electropolished finish • Location disks Stainless steel AISI 303	GS	EP
Stainless steel AISI 316L	A4	
<ul style="list-style-type: none"> • Matte shot-blasted finish • Location disks Stainless steel AISI 316L	GS	
Aluminum	AL	
<ul style="list-style-type: none"> • Powder coated - Black, RAL 9005, textured finish - Silver, RAL 9006, textured finish - Red, RAL 3000, textured finish • Anodized finish, natural color • Location disks Zinc die-cast, nickel plated	<ul style="list-style-type: none"> ● SW ● SR ● RS ● EL 	

RoHS

On request

- Various metric size fasteners and kit packaging

Cabinet U-handles GN 425.1 are manufactured from a bent aluminum profile. Cabinet U-handles GN 425.1 with Ø d₁ = 8 and 10 mm are supplied with two location disks to guarantee a perfect location even with large holes in the cabinet. The location disks are enclosed in the package with the handle.

see also...

	Page
GN 425.1 Cabinet U-Handles (Steel)	QVX
GN 425 Cabinet U-Handles (Aluminum / Stainless Steel, Not Offset)	QVX

Technical Information

Stainless Steel Characteristics	QVX
Load Capacity Information	QVX

Accessory

GN 181 Mounting Plate Sets (Mounting from the Operator's Side)	QVX
---	-----

How to order (Stainless steel)

1	Material
2	Handle diameter d ₁
3	Length l
4	Finish

1 2 3 4

GN 425.1-NI-10-180-GS

How to order (Aluminum)

1	Material
2	Handle diameter d ₁
3	Length l
4	Finish

1 2 3 4

GN 425.1-AL-12-125-EL

1.1
1.2
1.3
1.4
2.1
2.2
2.3
2.4

