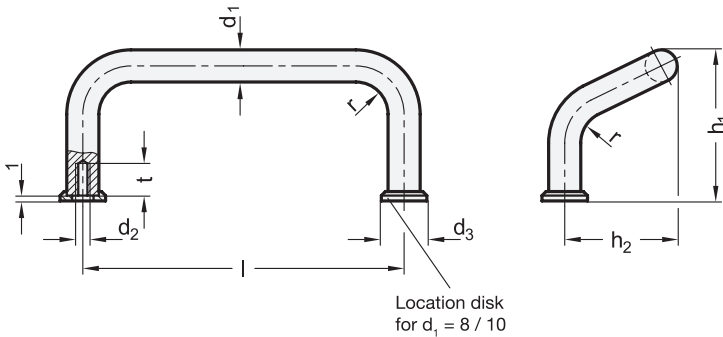


Metric



**Metric table**

| d <sub>1</sub> | Length l |      |      |      |      | d <sub>2</sub> | d <sub>3</sub> | h <sub>1</sub> | h <sub>2</sub> | r          | t min.     |
|----------------|----------|------|------|------|------|----------------|----------------|----------------|----------------|------------|------------|
|                | 55*      | 64   | 88*  | 96   | 100  |                |                |                |                |            |            |
| 8<br>0.31      | 2.17     | 2.52 | 3.46 | 3.78 | 3.94 | M 4            | 12<br>0.47     | 40<br>1.57     | 30<br>1.18     | 9<br>0.35  | 8<br>0.31  |
| 10<br>0.39     | 3.46     | 3.94 | 4.72 | 7.09 | 7.87 | M 5            | 15<br>0.59     | 47<br>1.85     | 35<br>1.38     | 11<br>0.43 | 12<br>0.47 |
| 12<br>0.47     | 4.92     | 6.30 | 7.87 | 9.84 | -    | M 6            | -              | 60<br>2.36     | 44<br>1.73     | 12<br>0.47 | 12<br>0.47 |

Dimensions in: millimeters / inches

\* Suitable for 19" rack and enclosure layout

**Specification**

**Handle**

- Steel
- Powder coated
  - Black, RAL 9005, textured finish
- Chrome plated
- Blackened finish

- SW
- CR
- BT

**Location disks**

Zinc die-cast, nickel plated

RoHS

**On request**

- Various metric size fasteners and kit packaging

Cabinet U-handles GN 425.1 are manufactured from a bent steel profile. Cabinet U-handles GN 425.1 with Ø d<sub>1</sub> = 8 and 10 mm are supplied with two location disks to guarantee a perfect location even with large holes in the cabinet. The location disks are enclosed in the package with the handle. The stainless steel version is preferred over the chrome plated version in steel for outdoor applications.

see also...

|   | Page |
|---|------|
| GN 425.1 Cabinet U-Handles (Stainless Steel / Aluminum) | QVX  |
| GN 425 Cabinet U-Handles (Steel, Not Offset)            | QVX  |

**Technical Information**

|                           |     |
|---------------------------|-----|
| Load Capacity Information | QVX |
|---------------------------|-----|

**Accessory**

|  |     |
|--|-----|
| GN 181 Mounting Plate Sets (Mounting from the Operator's Side) | QVX |
|--|-----|

How to order

**GN 425.1-10-100-CR**

|   |                                |
|---|--------------------------------|
| 1 | Handle diameter d <sub>1</sub> |
| 2 | Length l                       |
| 3 | Finish                         |