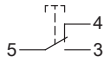
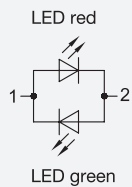
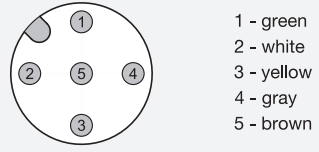

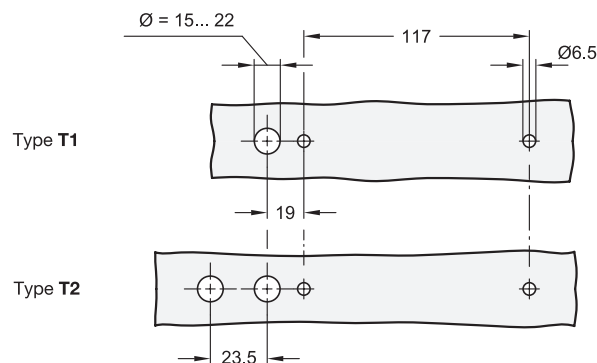


Electrical and mechanical characteristics		
<b>Button</b> Contacts Contact material Switching voltages Switching current Mechanical lifespan Electrical lifespan	Changeover contact, snap contact Silver alloy Max. 125 V (connector) Max. 240 V (cable) Max. 3A 10 <sup>6</sup> switching cycles 50,000 switching cycles (under full load)	
<b>LED ring lighting</b> Operating voltage / operating current - bi-color (red / green)	24 V DC ± 10 % / 7 mA	
<b>Category of use (button)</b>	AC 15: 24 V AC / 1 A / DC 13: 24 V DC / 0.7 A AC 15: 110 V AC / 1 A / DC 13: 110 V DC / 0.2 A AC 15: 220 V AC / 0.5 A / DC 13: 220 V DC / 0.1 A	according to IEC 60947-5-1
	AC: 120 V AC / 5 A / DC: 12 V DC / 1 A AC: 240 V AC / 3 A	according to UL 508
<b>Connection type</b> Cable (K) or Connector (S) Protection class	PUR cable with open stranded wires (2 m or 5 m) 5-pin connector M12x1 with PUR cable 0.25 m IP 67	Pin configuration and cable assignment 
<b>Approvals, conformity declarations</b> CE marking		

**Installation holes**

The holes must be free of burrs to prevent damage to the cable.



1.1  
1.2  
1.3  
1.4  
2.1  
2.2  
2.3  
2.4

