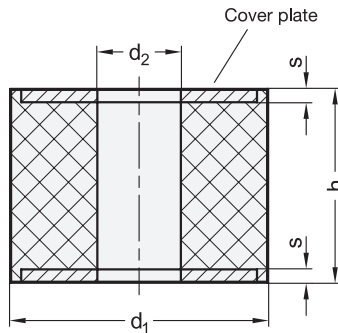




Metric



**4 Type**

**DD** Cover plate on both sides

Dimensions in: millimeters / inches

**Metric table**

<b>1</b> <b>d<sub>1</sub></b>	<b>2</b> <b>h</b>					<b>3</b> <b>d<sub>2</sub></b>	<b>s</b>
15 0.59	25 0.98	-	-	-	-	6 0.24	2 0.08
20 0.79	25 0.98	-	-	-	-	6 0.24	2 0.08
25 0.98	20 0.79	-	-	-	-	6.6 0.26	2 0.08
30 1.18	15 0.59	-	-	-	-	16 0.63	2 0.08
35 1.38	15 0.59	-	-	-	-	19 0.75	2 0.08
35 1.38	20 0.79	-	-	-	-	13 0.51	2 0.08
40 1.57	20 0.79	28 1.10	30 1.18	35 1.38	40 1.57	13 0.51	2 0.08
50 1.97	15 0.59	20 0.79	30 1.18	50 1.97	-	21 0.83	2 0.08
50 1.97	20 0.79	30 1.18	40 1.57	50 1.97	-	17 0.67	2 0.08
50 1.97	25 0.98	-	-	-	-	11 0.43	2 0.08
50 1.97	30 1.18	-	-	-	-	10 0.39	2 0.08
60 2.36	13 0.51	-	-	-	-	20.5 0.81	2 0.08
60 2.36	30 1.18	-	-	-	-	10.5 0.41	2 0.08
60 2.36	30 1.18	-	-	-	-	18 0.71	2 0.08
60 2.36	30 1.18	-	-	-	-	21.5 0.85	2 0.08
60 2.36	50 1.97	-	-	-	-	21 0.83	2 0.08
75 2.95	30 1.18	55 2.17	-	-	-	25 0.98	3 0.12
100 3.94	50 1.97	-	-	-	-	30 1.18	3 0.12
100 3.94	60 2.36	-	-	-	-	21 0.83	3 0.12

**Specification**

**Rubber**

Natural rubber (NR), black

• Vulcanized to the cover plates

• Operating temperature

-40 °F to +176 °F (-40 °C to +80 °C)

• Hardness Shore A ±5

- Soft

**40**

- Medium

**55**

- Hard

**70**

**GN 351**

**Cover plates**

Steel, zinc plated, blue passivated finish

**GN 451**

**Cover plates**

Stainless steel AISI 304

Only in hardness 55

RoHS

Vibration isolation mounts GN 351 / GN 451 are suitable for the elastic mounting of machine units such as motors, compressors and pumps. Fastening can be carried out flexibly, e.g. with standard screws.

**Technical Information**

**Page**

Technical Instructions Vibration Isolation Mounts / Rubber Bumpers

QVX

Resilience Characteristics

QVX

Plastic Characteristics

QVX

Stainless Steel Characteristics

QVX

**How to order (Steel)**

<b>1</b>	Outside diameter <b>d<sub>1</sub></b>
<b>2</b>	Height <b>h</b>
<b>3</b>	Bore diameter <b>d<sub>2</sub></b>
<b>4</b>	Type
<b>5</b>	Hardness

**GN 351-50-30-10-DD-70**

**How to order (Stainless steel)**

<b>1</b>	Outside diameter <b>d<sub>1</sub></b>
<b>2</b>	Height <b>h</b>
<b>3</b>	Bore diameter <b>d<sub>2</sub></b>
<b>4</b>	Type
<b>5</b>	Hardness

**GN 451-75-55-25-DD-55**

3.1  
3.2  
3.3  
3.4  
3.5  
3.6  
3.7  
3.8  
3.9  
3.10

