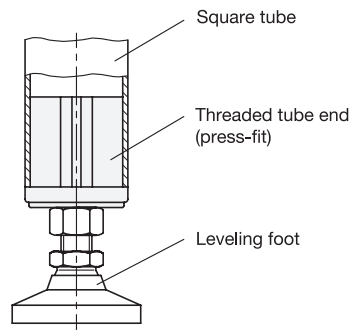


Application example



Metric table

Dimensions in: millimeters - inches

s ₁ Outer □	s ₂ Inner □	d	l ₁	l ₂	t	Square tube dimensions			Static load (See information)
						Outside	Inside	Wall thickness	
30 1.18	27 1.06	M 8	33 1.30	6 0.24	15 0.59	30 1.18	27 1.06	1.5 0.06	17000 N 3822 lbf
30 1.18	27 1.06	M 10	33 1.30	6 0.24	15 0.59	30 1.18	27 1.06	1.5 0.06	17000 N 3822 lbf
30 1.18	27 1.06	M 12	33 1.30	6 0.24	18 0.71	30 1.18	27 1.06	1.5 0.06	17000 N 3822 lbf
30 1.18	27 1.06	M 16	33 1.30	6 0.24	20 0.79	30 1.18	27 1.06	1.5 0.06	17000 N 3822 lbf
40 1.57	36 1.42	M 8	43 1.69	8 0.31	15 0.59	40 1.57	36 1.42	2 0.08	18000 N 4047 lbf
40 1.57	36 1.42	M 10	43 1.69	8 0.31	15 0.59	40 1.57	36 1.42	2 0.08	18000 N 4047 lbf
40 1.57	36 1.42	M 12	43 1.69	8 0.31	18 0.71	40 1.57	36 1.42	2 0.08	18000 N 4047 lbf
40 1.57	36 1.42	M 16	43 1.69	8 0.31	20 0.79	40 1.57	36 1.42	2 0.08	18000 N 4047 lbf
50 1.97	45 1.77	M 12	55 2.17	10 0.39	18 0.71	50 1.97	45 1.77	2.5 0.10	20000 N 4496 lbf
50 1.97	45 1.77	M 16	55 2.17	10 0.39	20 0.79	50 1.97	45 1.77	2.5 0.10	20000 N 4496 lbf
50 1.97	45 1.77	M 20	55 2.17	10 0.39	30 1.18	50 1.97	45 1.77	2.5 0.10	20000 N 4496 lbf
50 1.97	46 1.81	M 12	55 2.17	10 0.39	18 0.71	50 1.97	45 1.77	2 0.08	20000 N 4496 lbf
50 1.97	46 1.81	M 16	55 2.17	10 0.39	20 0.79	50 1.97	45 1.77	2 0.08	20000 N 4496 lbf
50 1.97	46 1.81	M 20	55 2.17	10 0.39	30 1.18	50 1.97	45 1.77	2 0.08	20000 N 4496 lbf

Specification

- Body
Plastic
Technopolymer (Polyamide PA)
- Glass fiber reinforced
- Black, matte finish
- Temperature resistant up to 248 °F (120 °C)
- Tapped insert
Brass, nickel plated
- Plastic Characteristics → page 2135
- RoHS compliant

Information

EN 348 threaded tube ends enable threaded studs to be installed in square tubes, e.g. to accommodate threaded leveling feet. Installed by using a plastic mallet, the tube ends are help in position by the slightly tapered body.

The values of the static load capacity given in the table are guide values. Exceeding these values can lead to permanent deformation or breakage of the tube end. The information about load bearing capacity are non-binding guide values and rule out any liability. They constitute no general warranty of quality and condition. The user must determine from case to case whether a product is suitable for the intended use.

How to order	1	Outer square s ₁
	2	Inner square s ₂
	3	Thread d
EN 348-30-27-M12		