

GN 343.3

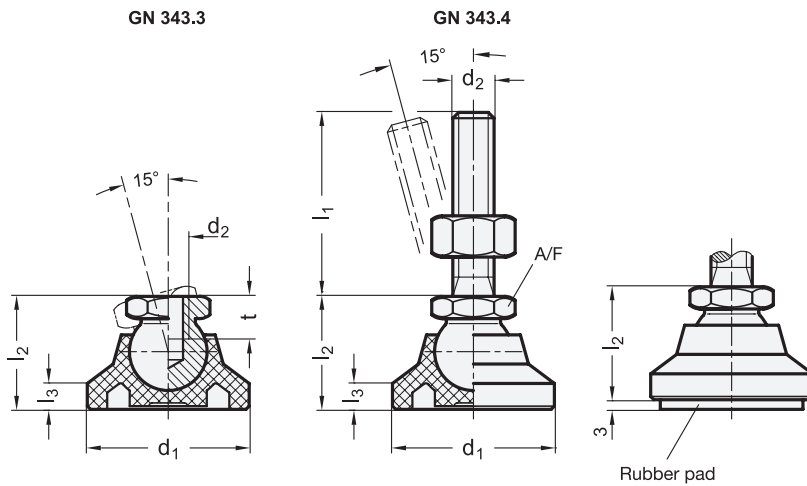
Tapped Socket Type

GN 343.4

Threaded Stud Type

Leveling Feet

Steel, Plastic Base, with or without Rubber Pad

**4 Type**

- A** Without rubber pad
- G** With rubber pad

Specification

- Base
Plastic
Technopolymer (Polyamide PA)
- Glass fiber reinforced
- Temperature resistant up to 212 °F (100 °C)
- Black, matte finish
- Tapped socket
Steel, zinc plated, blue passivated finish
- Threaded stud
Steel
- Property class 5.8
- Zinc plated, blue passivated finish
- Hex nut ISO 4032
Steel, zinc plated, blue passivated finish
- Rubber pad
Perbunan® (NBR) 70 shore A
Black
- *Strength Values of Screws* → page 2127
- *Elastomer Characteristics* → page 2135
- *Plastic Characteristics* → page 2135
- **RoHS compliant**

On request

- ESD version
(conductive plastic to avoid static charge;
see also GN 343.1 / GN 343.2, type KSE or KRE)

Information

GN 343.3 and GN 343.4 leveling feet can bear high static loads through the use of a high quality plastic material, coupled with a design that distributes the load over a larger area.

Exceeding the static values listed in the table can result in damage to the plastic base.

The values in the table were determined by a series of tests, where a limited number of leveling feet were subjected to a vertical static load, in relation to the foot, for a limited time.

Depending on the application and load case, however, a safety factor must be considered so that the permissible load capacity is below the value given in the table.

These leveling feet are supplied assembled but can be disassembled.

see also...

- *Leveling Feet GN 343.1 / GN 343.2 (Steel)* → page 1466
- *Leveling Feet GN 343.7 / GN 343.8 (Plastic Base, Stainless Steel Tapped Socket / Threaded Stud)* → page 1472
- *Leveling Feet GN 343.5 / GN 343.6 (All Stainless Steel)* → page 1470
- *Vibration Damping Leveling Feet GN 342.1 / GN 342.2* → www.jwwinco.com
- *Threaded Tube Ends EN 448* → page 1578 / 1578

How to order (Tapped socket type)

GN 343.3-32-M10-A

- | | |
|---|---------------------|
| 1 | Base diameter d_1 |
| 2 | Thread d_2 |
| 4 | Type |

How to order (Threaded stud type)

GN 343.4-60-M16-80-G

- | | |
|---|---------------------|
| 1 | Base diameter d_1 |
| 2 | Thread d_2 |
| 3 | Stud length l_1 |
| 4 | Type |

Metric table

Dimensions in: millimeters - inches

1 d ₁	2 d ₂		3 l ₁			l ₂	l ₃	A/F	t min.	Static load (See information)
	GN 343.4	GN 343.4								
25 0.98	M 6	M 6	40 1.57	50 1.97	63 2.48	18.5 0.73	4 0.16	12 0.47	9 0.35	5 kN 1124 lbf
25 0.98	M 8	M 8	40 1.57	50 1.97	63 2.48	18.5 0.73	4 0.16	12 0.47	9 0.35	5 kN 1124 lbf
25 0.98	-	M 10	50 1.97	63 2.48	80 3.15	18.5 0.73	4 0.16	12 0.47	-	5 kN 1124 lbf
32 1.26	M 8	M 8	40 1.57	50 1.97	63 2.48	22.5 0.89	5 0.20	12 0.47	9 0.35	7 kN 1574 lbf
32 1.26	M 10	M 10	50 1.97	63 2.48	80 3.15	22.5 0.89	5 0.20	15 0.59	10.5 0.41	7 kN 1574 lbf
32 1.26	-	M 12	63 2.48	80 3.15	100 3.94	22.5 0.89	5 0.20	15 0.59	-	7 kN 1574 lbf
40 1.57	-	M 8	50 1.97	63 2.48	80 3.15	25.5 1.00	6 0.24	15 0.59	-	10 kN 2248 lbf
40 1.57	M 10	M 10	50 1.97	63 2.48	80 3.15	25.5 1.00	6 0.24	15 0.59	10.5 0.41	10 kN 2248 lbf
40 1.57	M 12	M 12	63 2.48	80 3.15	100 3.94	25.5 1.00	6 0.24	17 0.67	11.5 0.45	10 kN 2248 lbf
50 1.97	-	M 8	50 1.97	63 2.48	80 3.15	27.5 1.08	7 0.28	15 0.59	-	10 kN 2248 lbf
50 1.97	M 10	M 10	50 1.97	63 2.48	80 3.15	27.5 1.08	7 0.28	15 0.59	10.5 0.41	10 kN 2248 lbf
50 1.97	M 12	M 12	63 2.48	80 3.15	100 3.94	27.5 1.08	7 0.28	17 0.67	11.5 0.45	10 kN 2248 lbf
50 1.97	-	M 16	63 2.48	80 3.15	100 3.94	27.5 1.08	7 0.28	17 0.67	-	10 kN 2248 lbf
60 2.36	-	M 10	50 1.97	63 2.48	80 3.15	27.5 1.08	7 0.28	17 0.67	-	10 kN 2248 lbf
60 2.36	M 12	M 12	63 2.48	80 3.15	100 3.94	35.5 1.40	8.5 0.33	17 0.67	11.5 0.45	14 kN 3147 lbf
60 2.36	M 16	M 16	80 3.15	100 3.94	125 4.92	35.5 1.40	8.5 0.33	24 0.94	16 0.63	14 kN 3147 lbf
60 2.36	-	M 20	98 3.86	138 5.43	158 6.22	35.5 1.40	8.5 0.33	24 0.94	-	14 kN 3147 lbf
60 2.36	-	M 24	98 3.86	138 5.43	158 6.22	35.5 1.40	8.5 0.33	24 0.94	-	14 kN 3147 lbf

