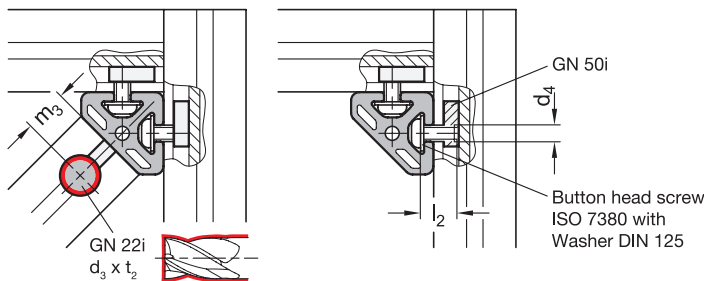


Assembly / profile machining



4 Profile type

S Heavy

5 Identification no.

1 Corner installation

6 Type

A Without fastening set

Metric table

Dimensions in: millimeters - inches													
s	l ₁	n	d ₁	d ₂	d ₃	d ₄	h	l ₂	m ₁	m ₂	m ₃ +0.5	t ₁	t ₂ +0.5
30 1.18	30 1.18	6 0.24	M 6	5.5 0.22	16 0.63	M 6	27.4 1.08	12 0.47	17.4 0.69	-	15 0.59	6.5 0.26	12.7 0.50
40 1.57	40 1.57	8 0.31	M 8	6.5 0.26	20 0.79	M 8	36.6 1.44	16 0.63	24 0.94	-	20 0.79	14 0.55	16 0.63
60 2.36	30 1.18	6 0.24	M 6	5.5 0.22	16 0.63	M 6	27.4 1.08	12 0.47	47.4 1.87	30 1.18	15 0.59	6.5 0.26	12.7 0.50
80 3.15	40 1.57	8 0.31	M 8	6.5 0.26	20 0.79	M 8	36.6 1.44	16 0.63	64 2.52	40 1.57	20 0.79	14 0.55	16 0.63

Specification

• Aluminum
Anodized finish, natural color

• RoHS

Accessory

- Universal connectors GN 22i → page QVX
- T-nuts GN 50i → page QVX

Information

Angle connectors GN 32i fasten aluminum profiles together at right angles and are primarily used for creating corner braces at 45° angles.

The braces are fastened with universal connectors GN 22i, requiring their anti-twist protection to be removed. This requires the profile to be machined.

see also...

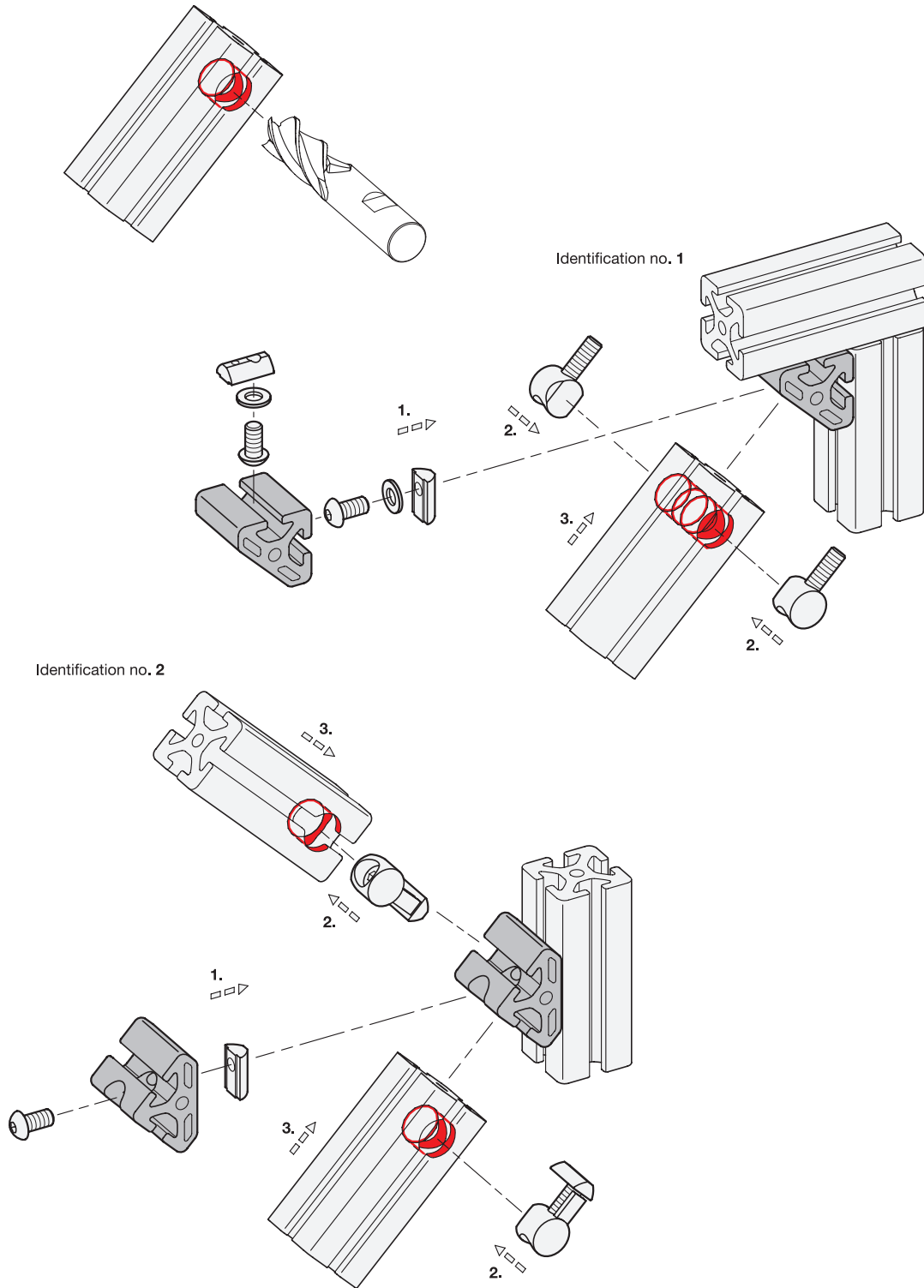
- Aluminum Profiles GN 10i (Profile Type Light) → page QVX
- Aluminum Profiles GN 10i (Profile Type Heavy) → page QVX
- Aluminum Profiles GN 11i (with Partially Closed Slots) → page QVX

How to order

GN 32i-8040 8 S-1-A-N

1	Profile width s
2	Length l ₁
3	Slot width n
4	Profile type
5	Identification no.
6	Type
7	Finish

Assembly Instructions / Profile Machining



3.1

3.2

3.3

3.4

3.5

3.6

3.7

3.8

3.9

3.10

