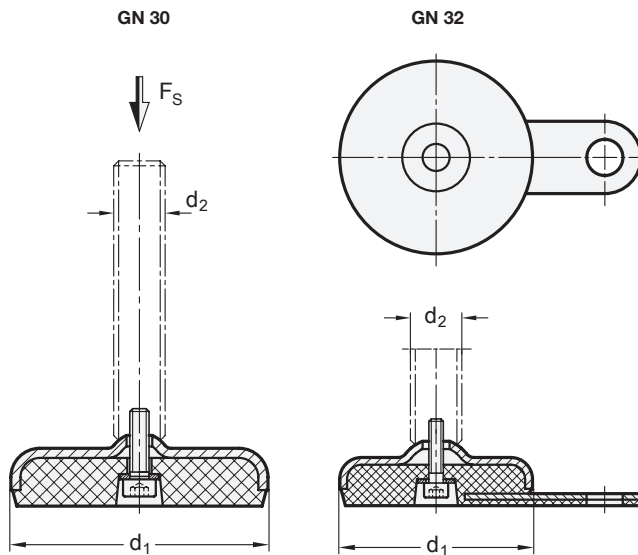


Load Capacity of Leveling Feet

GN 30 / GN 32



Information

The load capacity specified in the table is based on test series in which the load was applied perpendicular to the base. With these values, unloading may already result in minor, permanent deformation of the base.

Bending and buckling stress, which often occurs in practice, lead to a lower load capacity of the threaded stud and may have to be taken into account.

Also, the stud strength is assumed to be $\geq 500 \text{ N/mm}^2$.

The details given on load capacity are non-binding guide values without any liability. In general, they do not constitute a warranty of quality.

The user must determine from case to case if a product is suitable for the intended use. Ambient influences may affect the specified values.

Metric table

Dimensions in: millimeters - inches

d ₁	d ₂ Thread Metric	Thread Inch	Static load F _s for threaded stud version					
			S / SK Black rubber pad		U / UK Black rubber pad		X Black rubber pad	
50 1.97	M 8	5/16 x 18	8 kN 1798 lbf	8 kN 1798 lbf	-	-	8 kN 1798 lbf	8 kN 1798 lbf
50 1.97	M 10	3/8 x 16	10 kN 2248 lbf	10 kN 2248 lbf	-	-	13 kN 2923 lbf	13 kN 2923 lbf
50 1.97	M 12	1/2 x 13	12 kN 2698 lbf	12 kN 2698 lbf	-	-	16 kN 3597 lbf	13 kN 2923 lbf
50 1.97	M 16	5/8 x 11	-	-	16 kN 3597 lbf	13 kN 2923 lbf	16 kN 3597 lbf	13 kN 2923 lbf
60 2.36	M 8	5/16 x 18	8 kN 1798 lbf	8 kN 1798 lbf	-	-	8 kN 1798 lbf	8 kN 1798 lbf
60 2.36	M 10	3/8 x 16	10 kN 2248 lbf	10 kN 2248 lbf	-	-	13 kN 2923 lbf	13 kN 2923 lbf
60 2.36	M 12	1/2 x 13	12 kN 2698 lbf	12 kN 2698 lbf	-	-	16 kN 3597 lbf	13 kN 2923 lbf
60 2.36	M 16	5/8 x 11	-	-	16 kN 3597 lbf	13 kN 2923 lbf	16 kN 3597 lbf	13 kN 2923 lbf
80 3.15	M 8	5/16 x 18	8 kN 1798 lbf	8 kN 1798 lbf	-	-	8 kN 1798 lbf	8 kN 1798 lbf
80 3.15	M 10	3/8 x 16	10 kN 2248 lbf	10 kN 2248 lbf	-	-	12 kN 2698 lbf	11 kN 2473 lbf
80 3.15	M 12	1/2 x 13	12 kN 2698 lbf	12 kN 2698 lbf	-	-	12 kN 2698 lbf	11 kN 2473 lbf
80 3.15	M 16	5/8 x 11	-	-	12 kN 2698 lbf	11 kN 2473 lbf	12 kN 2698 lbf	11 kN 2473 lbf
80 3.15	M 20	3/4 x 10	-	-	12 kN 2698 lbf	11 kN 2473 lbf	12 kN 2698 lbf	11 kN 2473 lbf
80 3.15	M 24	-	-	-	12 kN 2698 lbf	11 kN 2473 lbf	-	-
100 3.94	M 8	5/16 x 18	8 kN 1798 lbf	8 kN 1798 lbf	-	-	8 kN 1798 lbf	8 kN 1798 lbf
100 3.94	M 10	3/8 x 16	10 kN 2248 lbf	10 kN 2248 lbf	-	-	11 kN 2473 lbf	10 kN 2248 lbf
100 3.94	M 12	1/2 x 13	11 kN 2473 lbf	10 kN 2248 lbf	-	-	11 kN 2473 lbf	10 kN 2248 lbf
100 3.94	M 16	5/8 x 11	-	-	11 kN 2473 lbf	10 kN 2248 lbf	11 kN 2473 lbf	10 kN 2248 lbf
100 3.94	M 20	3/4 x 10	-	-	11 kN 2473 lbf	10 kN 2248 lbf	11 kN 2473 lbf	10 kN 2248 lbf
100 3.94	M 24	-	-	-	11 kN 2473 lbf	10 kN 2248 lbf	-	-
120 4.72	M 20	-	-	-	20 kN 4496 lbf	16 kN 3597 lbf	20 kN 4496 lbf	16 kN 3597 lbf
120 4.72	M 24	-	-	-	20 kN 4496 lbf	16 kN 3597 lbf	-	-
120 4.72	M 30	-	-	-	20 kN 4496 lbf	16 kN 3597 lbf	-	-