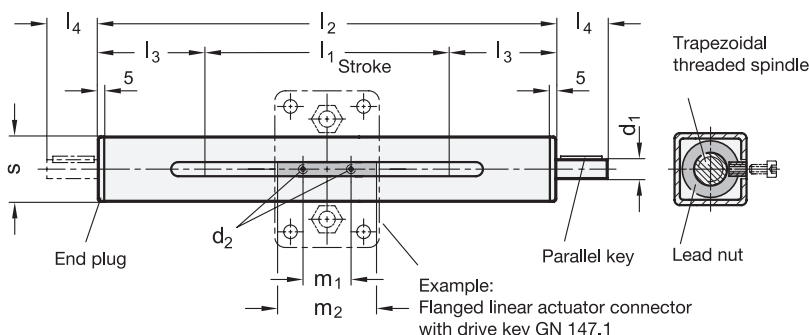


GN 291.1

Steel / Stainless Steel

Square Linear Actuators

with Left or Right Hand Thread



SS Stainless Steel

3 Type

- R1** Right-hand thread, shaft journal at one end
- R2*** Right-hand thread, shaft journal at both ends
- L1** Left-hand thread, shaft journal at one end
- L2*** Left-hand thread, shaft journal at both ends

Metric table

s	I ₁						Threaded spindle	d ₁	d ₂ Thread	I ₂ Total length	I ₃	I ₄	m ₁	m ₂	For parallel key DIN 6885
	Stroke (standard lengths)					Max. stroke									
30 1.18	100 3.94	150 5.91	200 7.87	300 11.81	-	1250 49.21	TR14x4	8 0.31	M 4	I ₁ +210 8.27	105 4.13	16 0.63	23 0.91	38 1.50	A2x2x12
40 1.57	70 2.76	170 6.69	220 8.66	270 10.63	320 12.60	1570 61.81	TR20x4	12 0.47	M 5	I ₁ +240 9.45	120 4.72	17 0.67	42 1.65	54 2.13	A4x4x12
50 1.97	65 2.56	115 4.53	215 8.46	265 10.43	315 12.40	1565 61.61	TR20x4	12 0.47	M 6	I ₁ +245 9.65	122.5 4.82	18 0.71	42 1.65	54 2.13	A4x4x12

Dimensions in: millimeters - inches

*Usually not available from stock

Specification

- Square tube
 - Steel, chrome plated **SCR**
 - Stainless steel AISI 304 **NI***
- Trapezoidal thread spindle
 - Steel / stainless steel AISI 303
 - Ball bearing
- Lead nut
 - Gunmetal
- End plug
 - Plastic
- *Stainless Steel Characteristics* → page 2143
- **RoHS compliant**

Accessory

- Linear actuator connectors, connector clamps and further accessories have to be ordered separately.

On request

- Any stroke within the maximum stroke lengths

Information

GN 291.1 square linear actuators are used if the linear actuator connectors are exposed to high torsion forces.

In addition to the standard stroke lengths specified in the table, any stroke within the maximum stroke lengths is available upon request.

By means of linear actuator connectors, the linear movement of the lead nut can be transmitted to the outside via a drive key. The drive keys are included with the respective linear actuator connectors. In addition, a wide variety of different components are available in the connector clamp range to mount the linear actuators in place.

In order to measure the movement or the position of the linear actuator connectors, the square tube can be equipped with a longitudinal scale.

see also...

- *Linear Actuators GN 291* → page 1948
- *Longitudinal Scales GN 299* → page 1960
- *Linear Actuator Connectors* → starting from page 1949
- *Handwheels GN 9234 (for Linear Actuators)* → page XYZ
- *Installation Kits GN 296 (for Position Indicators)* → page 1965

How to order		1 Diameter s
		2 Stroke I ₁
1 2 3 4		3 Type
GN 291.1-30-200-R1-SCR		4 Material