

2 Profile type

- L Light
- S Heavy

3 Coding

- R Right-angled connection

Metric table

Dimensions in: millimeters - inches

1		5									
n	Profile type L	Profile type S	Bundle	d ₁ Self-forming thread	d ₂	h	l ₁	l ₂	A/F ₁	A/F ₂	
	Profile type L	Profile type S	Pieces	Profile type L	Profile type S				in mm		
-		8 0.31	4	-	S 11	M 6	32 1.26	8 0.31	5	T40	
10 0.39		10 0.39	4	S 13	S 12	M 8	34 1.34	9.5 0.37	6	T50	

Specification

- Steel, zinc plated, blue passivated finish **SZ**
- RoHS

Information

Automatic connectors GN 23b fasten aluminum profiles together at right angles. Machining of the profile is not necessary. The connection can be freely positioned and slid along the slot.

For assembly, first insert the socket cap screw along the slot and then screw in the lightly lubricated threaded bushing. Minor burr formation is possible. Automatic connectors are used in pairs opposite each other. If panels are used in the slot, they must be suitably pocketed.

Automatic connectors are supplied in bundles. The table shows the quantity included in each bundle.

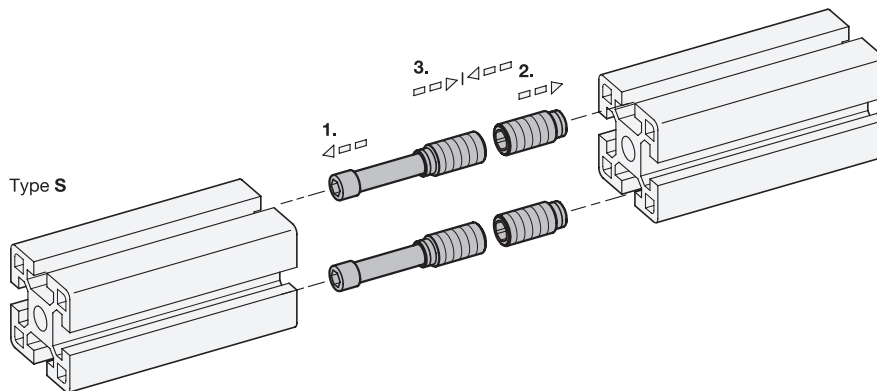
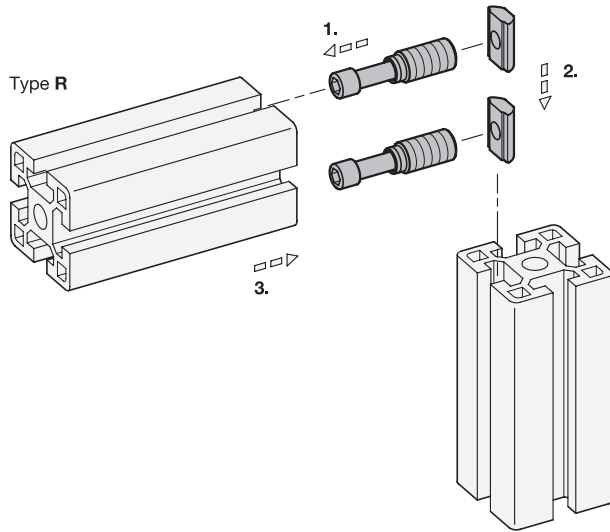
see also...

- Aluminum Profiles GN 10b (Profile Type Light) → page QVX
- Aluminum Profiles GN 10b (Profile Type Heavy) → page QVX

How to order	
1	Slot width n
2	Profile type
3	Coding
4	Material / Finish
5	Bundle

GN 23b- 8 S-R-SZ-4

Assembly Instructions



3.1

3.2

3.3

3.4

3.5

3.6

3.7

3.8

3.9

3.10

