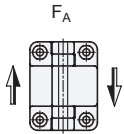
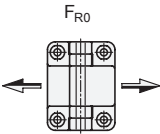
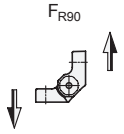
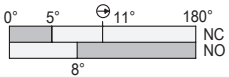
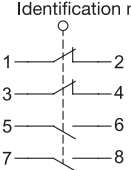
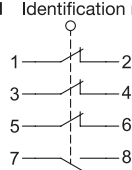
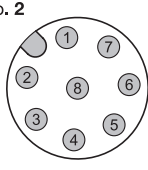





Mechanical features				
<b>Maximum load</b> Information without safety factor	Load direction			
	<b>EN 239.6</b>  <b>EN 239.7</b>	2100 N <i>472.10 lbf</i>	2800 N <i>629.47 lbf</i>	1300 N <i>292.25 lbf</i>
Examples of calculation → see operating instruction		4500 N <i>1011.64 lbf</i>	7600 N <i>1708.55 lbf</i>	5800 N <i>1303.89 lbf</i>
<b>Assembly</b>	From the front, with countersunk screws or cylinder head screws, e.g. DIN 7991 / DIN 912 From the back, with hex head screws or nuts, e.g. DIN 933 / DIN 934			
<b>Recommended torque</b>	5 Nm (Screws and nuts M6)			
<b>Protection class</b>	IP67	acc. to EN 60529		
<b>Switching principle, contact opening</b>	Slow-action contacts force-fitted, with positive opening	acc. to IEC 60947-5-1, K		
<b>Contact material</b>	Silver alloy Ag 999			
<b>Operating travel diagram (scheme)</b>	The switching points are adjustable up to 4° in direction of 0°. → see operating instruction			
<b>Maximum operating frequency</b>	1200 / hour	acc. to IEC 60947-5-1		
<b>Mechanical life span</b>	10 <sup>6</sup> operating cycles	acc. to IEC 60947-5-1		
<b>Actuating speed</b>	min. 2° / second, max. 90° / second			

Electrical features			
<b>Utilization category</b>	acc. to IMQ	DC 13: 24 V DC / 2 A (connector plug) AC 15: 400 V AC / 4 A / DC 13: 250 V AC / 0.3 A (cable)	acc. to EN 60947-5-1 acc. to EN 60947-5-2
	acc. to UL	Plug - C 300 / Q 300: AC / DC Control signals 24 V / 2 A electrical circuit category 2 Cable - C 300: 240 V AC / 0.75 A / Q 300: 250 V DC / 0.27 A / therm. current 2.5 A	
<b>Contact termination</b> 8-pole connector M12 or cable with 2 m or 5 m length	Identification no. 1  Identification no. 2 		
<b>Pin and cable assignment</b>	 <ul style="list-style-type: none"> <li>1 - red</li> <li>2 - pink</li> <li>3 - brown</li> <li>4 - gray</li> <li>5 - yellow</li> <li>6 - blue</li> <li>7 - green</li> <li>8 - white</li> </ul>		
<b>Type of cable</b>	UL/CSA STYLE 2587 8X AWG 22		
<b>Short-circuit current</b>	1000 A	acc. to IQM	
<b>Rated insulation voltage</b>	30 V AC/DC (connector plug) and 400 AC (cable)		
<b>Short-circuit protection</b>	4 A, 500 V, Type gG		
<b>Ambient temperature</b>	-4 °F to +176 °F (-20 °C to +80 °C)		
<b>Degree of pollution, external</b>	3	acc. to EN 60947-5-1	
<b>Mission time (T<sub>M</sub>)</b>	20 years	acc. to EN ISO 13849-1	
<b>Number of cycles (B10 d)</b>	2 000 000	acc. to EN 61820-2	

Approvals, conformities, applicability		
Low-voltage switchgear and controlgear CE declaration IMQ: CA02.04800 UL: E 360222	  	EN 60947-1/2007 EN 60947-1-5 : 2004 + A1/2009
<b>Safety applications</b>	bis SIL 3 / PL e	acc. to EN ISO 13849-1

Other important details and hints are given in the operating instructions for EN 239.6 hinges which are included with every hinge and they are also available as PDF downloads from "www.jwwinco.com" under "Service".

The hinges with integrated safety switch must be mounted and commissioned by qualified technical personnel in compliance with the details given in the operating instructions and with the national / international rules and regulations along with the applicable standards. JW Winco will assume no statutory liability for missing or incorrect information and for any consequences arising therefrom.

3.1  
3.2  
3.3  
3.4  
3.5  
3.6  
3.7  
3.8  
3.9  
3.10

