

2 Type

V With anti-twist protection

3 Coding

C With screw and T-nut

Metric table

Dimensions in: millimeters - inches

1 n	6 Bundle Pieces	d ₁	d ₂	l ₁	l ₂	m +0.5	A/F in mm	t +0.5	Tightening torque in Nm
6 0.24	4	16 0.63	M 6	25.5 1.00	11.5 0.45	15 0.59	4	12.7 0.50	8
8 0.31	4	20 0.79	M 8	33.5 1.32	15.5 0.61	20 0.79	5	16 0.63	25

Specification

- Housing
Zinc die-cast, zinc plated **ZZ**
- Screw and T-nut
Steel, zinc plated, blue passivated finish **SZ**
- RoHS

Information

Universal connectors GN 22i fasten aluminum profiles together at right angles and, when used in pairs, secure them against twisting. Only one profile has to be machined.

The connection can be freely positioned and slid along the slot. The anti-twist protection can be easily removed thanks to its predetermined breaking point, allowing installation at any angle relative to the profile slot. If panels are used in the slot, they must be suitably pocketed.

Universal connectors are supplied in bundles. The table shows the quantity included in each bundle.

see also...

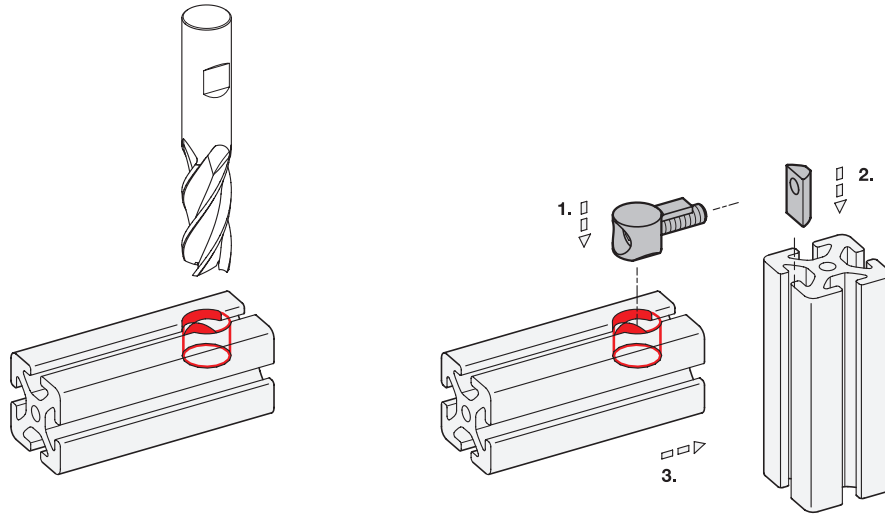
- Aluminum Profiles GN 10i (Profile Type Light) → page QVX
- Aluminum Profiles GN 10i (Profile Type Heavy) → page QVX
- Aluminum Profiles GN 11i (with Partially Closed Slots) → page QVX

How to order

GN 22i-8-V-C-ZZ SZ-4

1	Slot width n
2	Type
3	Coding
4	Material / Finish (Housing)
5	Material / Finish (Screw and T-nut)
6	Bundle

Assembly Instructions / Profile Machining



3.1

3.2

3.3

3.4

3.5

3.6

3.7

3.8

3.9

3.10

