

Metric



**SS** Stainless Steel

**4 Type (Base)**

**D0** Fine turned, without rubber pad

**D1** Fine turned, with rubber pad inlay, black

**Metric table**

Dimensions in: millimeters / inches

d <sub>1</sub>	d <sub>2</sub>	1			2			3			k	
		Version S / SK	Version T / TK	Version S / SK	Version T / TK	Version S / SK	Version T / TK	Version S / SK	Version T / TK			
80 3.15	M 8	40 1.57	50 1.97	63 2.48	-	-	-	-	-	-	54.5 2.15	
80 3.15	M 10	50 1.97	60 2.36	80 3.15	100 3.94	-	-	-	-	-	54.5 2.15	
80 3.15	M 12	60 2.36	80 3.15	100 3.94	125 4.92	-	-	-	-	-	54.5 2.15	
80 3.15	M 16	-	-	-	-	75 2.95	100 3.94	125 4.92	150 5.91	200 7.87	250 9.84	54.5 2.15
80 3.15	M 20	-	-	-	-	75 2.95	100 3.94	125 4.92	150 5.91	200 7.87	250 9.84	54.5 2.15
80 3.15	M 24	-	-	-	-	100 3.94	125 4.92	150 5.91	200 7.87	300 11.81	-	54.5 2.15
100 3.94	M 8	40 1.57	50 1.97	63 2.48	-	-	-	-	-	-	70.5 2.78	
100 3.94	M 10	50 1.97	60 2.36	80 3.15	100 3.94	-	-	-	-	-	70.5 2.78	
100 3.94	M 12	60 2.36	80 3.15	100 3.94	125 4.92	-	-	-	-	-	70.5 2.78	
100 3.94	M 16	-	-	-	-	75 2.95	100 3.94	125 4.92	150 5.91	200 7.87	250 9.84	70.5 2.78
100 3.94	M 20	-	-	-	-	75 2.95	100 3.94	125 4.92	150 5.91	200 7.87	250 9.84	70.5 2.78
100 3.94	M 24	-	-	-	-	100 3.94	125 4.92	150 5.91	200 7.87	300 11.81	-	70.5 2.78
120 4.72	M 20	-	-	-	-	75 2.95	100 3.94	125 4.92	150 5.91	200 7.87	250 9.84	95.5 3.76
120 4.72	M 24	-	-	-	-	100 3.94	125 4.92	150 5.91	200 7.87	300 11.81	-	95.5 3.76

**Specification**

**Base plate**

Stainless steel AISI 316L (A4)

**Threaded stud**

Stainless steel AISI 316L (A4)

**Hex nuts ISO 4032**

Stainless steel A4

**Mounting screw**

Stainless steel A4

**Rubber pad**

Acrylonitrile butadiene rubber (NBR)

- Black
- Hardness 70 Shore A
- Inlay

RoHS

**Technical Information**

Page

Load Rating Information QVX

Plastic Characteristics QVX

Stainless Steel Characteristics QVX

Leveling feet GN 22 / GN 24 are particularly suitable for use in aggressive environments.

The leveling feet are supplied assembled and cannot be disassembled.

see also...

Page

**GN 18** Leveling Feet (Stainless Steel, FDA Compliant) QVX

**GN 21 | GN 23** Leveling Feet (Stainless Steel, Turned Base) QVX

**GN 44** Leveling Feet (Stainless Steel, Flat Base) QVX

**How to order (without Mounting Holes)**

1	Base diameter d <sub>1</sub>
2	Thread d <sub>2</sub>
3	Length l <sub>1</sub>
4	Type (Base)
5	Stud version

**GN 22-100-M20-75-D1-TK**

**How to order (with Mounting Hole)**

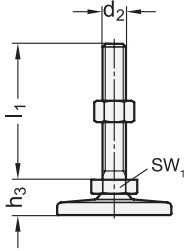
1	Base diameter d <sub>1</sub>
2	Thread d <sub>2</sub>
3	Length l <sub>1</sub>
4	Type (Base)
5	Stud version

**GN 24-80-M10-50-D0-S**

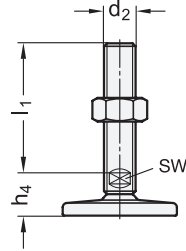
3.1  
3.2  
3.3  
3.4  
3.5  
3.6  
3.7  
3.8  
3.9  
3.10



**Stud Versions**



**5**  
**S** Without nut  
**SK** With nut



**5**  
**T** Without nut  
**TK** With nut

External hex at the bottom at  $d_2$   
M 8, M 10, M 12

Wrench flat at the bottom  $d_2$   
M 16, M 20, M 24, M 30

**Metric table**

Dimensions in: millimeters / inches

$d_1$	$d_2$	$h_1$	$h_2$	$h_3$	$h_4$	A/F <sub>1</sub>	A/F <sub>2</sub>
80 3.15	M 8	8.5 0.33	2 0.08	19.5 0.77	-	17 0.67	-
80 3.15	M 10	8.5 0.33	2 0.08	19.5 0.77	-	17 0.67	-
80 3.15	M 12	8.5 0.33	2 0.08	19.5 0.77	-	17 0.67	-
80 3.15	M 16	8.5 0.33	2 0.08	-	25.5 1.00	-	12 0.47
80 3.15	M 20	8.5 0.33	2 0.08	-	27 1.06	-	15 0.59
80 3.15	M 24	8.5 0.33	2 0.08	-	30.5 1.20	-	19 0.75
100 3.94	M 8	9 0.35	3 0.12	20.5 0.81	-	17 0.67	-
100 3.94	M 10	9 0.35	3 0.12	20.5 0.81	-	17 0.67	-
100 3.94	M 12	9 0.35	3 0.12	20.5 0.81	-	17 0.67	-
100 3.94	M 16	9 0.35	3 0.12	-	26.5 1.04	-	12 0.47
100 3.94	M 20	9 0.35	3 0.12	-	28 1.10	-	15 0.59
100 3.94	M 24	9 0.35	3 0.12	-	31.5 1.24	-	19 0.75
120 4.72	M 20	12 0.47	3.5 0.14	-	32 1.26	-	15 0.59
120 4.72	M 24	12 0.47	3.5 0.14	-	35.5 1.40	-	19 0.75

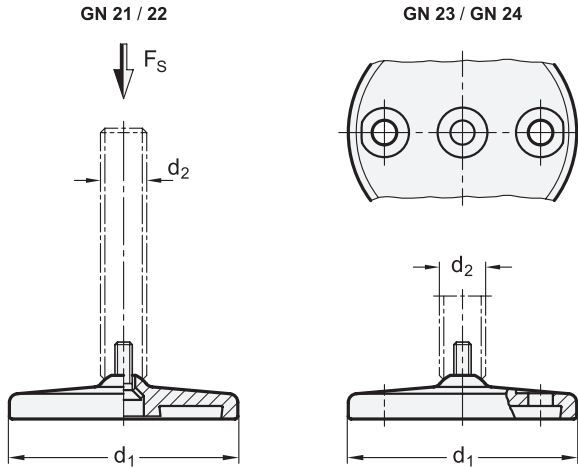
## Information

At a stud thread size M 10 and higher, the static load of the GN 21 / GN 22 / GN 23 / GN 24 leveling feet is limited by the permissible contact pressure of the threaded stud on the base (at a stud strength of  $\geq 500$  N/mm<sup>2</sup>). The values given in the table (valid for type D0 without rubber pad) are based on a clean pressure load perpendicular to the base.

Bending and buckling stress, which often occurs in practice, lead to a lower load capacity of the threaded stud and may have to be taken into account.

The details given on load capacity are non-binding guide values without any liability. In general, they do not constitute a warranty of quality.

The user must determine from case to case if a product is suitable for the intended use. Ambient influences may affect the specified values.



## Metric table

Dimensions in: millimeters / inches

d <sub>1</sub>	d <sub>2</sub>		Static load for stud versions				
	Metric	Inch	S / SK	T / TK and U / UK	V / VK	W	X
80 3.15	M 8	5/16 x 18	6 kN 1349 lbf	-	-	-	17 kN 3822 lbf
80 3.15	M 10	3/8 x 16	11 kN 2473 lbf	-	-	-	17 kN 3822 lbf
80 3.15	M 12	1/2 x 13	16 kN 3597 lbf	-	-	-	17 kN 3822 lbf
80 3.15	M 16	5/8 x 11	-	17 kN 3822 lbf	21 kN 4721 lbf	25 kN 5620 lbf	17 kN 3822 lbf
80 3.15	M 20	3/4 x 10	-	28 kN 6295 lbf	35 kN 7868 lbf	35 kN 7868 lbf	28 kN 6295 lbf
80 3.15	M 24	-	-	46 kN 10341 lbf	52 kN 11690 lbf	52 kN 11690 lbf	-
100 3.94	M 8	5/16 x 18	6 kN 1349 lbf	-	-	-	17 kN 3822 lbf
100 3.94	M 10	3/8 x 16	11 kN 2473 lbf	-	-	-	17 kN 3822 lbf
100 3.94	M 12	1/2 x 13	16 kN 3597 lbf	-	-	-	17 kN 3822 lbf
100 3.94	M 16	5/8 x 11	-	17 kN 3822 lbf	21 kN 4721 lbf	25 kN 5620 lbf	17 kN 3822 lbf
100 3.94	M 20	3/4 x 10	-	28 kN 6295 lbf	35 kN 7868 lbf	35 kN 7868 lbf	28 kN 6295 lbf
100 3.94	M 24	-	-	46 kN 10341 lbf	52 kN 11690 lbf	52 kN 11690 lbf	-
120 4.72	M 20	3/4 x 10	-	28 kN 6295 lbf	-	-	28 kN 6295 lbf
120 4.72	M 24	-	-	46 kN 10341 lbf	-	-	-
120 4.72	M 30	-	-	43 kN 9667 lbf	-	-	-

3.1  
3.2  
3.3  
3.4  
3.5  
3.6  
3.7  
3.8  
3.9  
3.10

