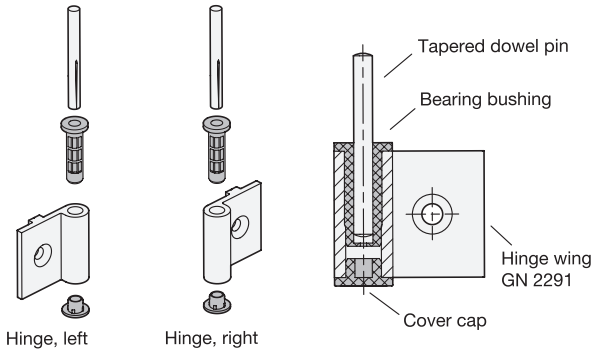
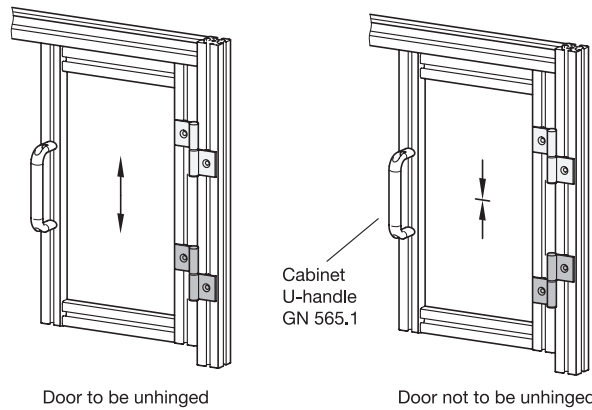


Mounting information



Left / right hinges

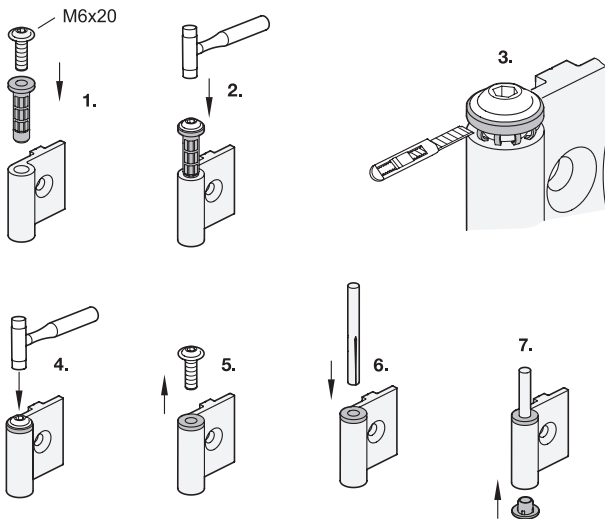
Right or left hinges can be created by the direction in which the bearing bushings are inserted into the hinge leaf.



Mounting on door frames

For mounting a door that should be removable, two hinges of the same type must be attached to the door frame.

If the door is not supposed to be removable, the door must be mounted with at least one right hinge and one left hinge.



Assembly

1. Position the bearing bushing with the desired installation direction on the hinge leaf. Then insert a screw with a collar such as an ISO 7380 oval head screw into the bearing bushing to protect the bearing bushing collar from damage while hammering in.

2. Hammer in the bearing bushing until about 1 mm remains between the bearing bushing collar and the hinge wing.

3. Remove the burr on the bearing bushing using a knife.

4. Hammer in the bearing bushing all the way.

5. Remove the screw.

6. Hammer a tapered dowel pin into the bearing bushing.

7. Place the cover cap on the opposite side of the hinge wing.

Insert the other bearing bushings according to points 1 to 5.