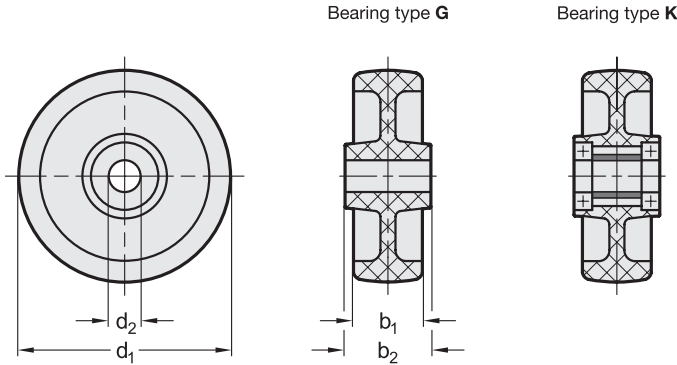


Metric



elesa
Original design RE.F8

2 Bearing type

- G** Friction bearing
- K** Annular ball bearing

3 Type

- A** Wheel without bracket

Metric table

Dimensions in: millimeters / inches

d ₁ Wheel Ø		b ₁		b ₂		d ₂		Recommended ergonomic max. load		Max. static load capacity		Max. dynamic load capacity	
Bearing type G	Bearing type K	Bearing type G	Bearing type K	Bearing type G	Bearing type K	Bearing type G	Bearing type K	Bearing type G	Bearing type K	Bearing type G	Bearing type K	Bearing type G	Bearing type K
65 2.56	-	30 1.18	-	34 1.34	-	12 0.47	-	900 N 202 lbf	-	1250 N 281 lbf	-	1200 N 270 lbf	-
80 3.15	-	30 1.18	-	39 1.54	-	12 0.47	-	1500 N 337 lbf	-	2000 N 450 lbf	-	1800 N 405 lbf	-
100 3.94	-	30 1.18	-	44 1.73	-	12 0.47	-	1750 N 393 lbf	-	3500 N 787 lbf	-	3000 N 674 lbf	-
125 4.92	125 4.92	38 1.50	45 1.77	44 1.73	56 2.20	15 0.59	20 0.79	2000 N 450 lbf	4000 N 899 lbf	4500 N 1012 lbf	7000 N 1574 lbf	4000 N 899 lbf	6500 N 1461 lbf
150 5.91	150 5.91	45 1.77	45 1.77	58 2.28	56 2.20	20 0.79	20 0.79	2500 N 562 lbf	4550 N 1023 lbf	6000 N 1349 lbf	8000 N 1798 lbf	5000 N 1124 lbf	7500 N 1686 lbf
200 7.87	200 7.87	50 1.97	50 1.97	58 2.28	56 2.20	20 0.79	20 0.79	3150 N 708 lbf	6500 N 1461 lbf	8000 N 1798 lbf	10000 N 2248 lbf	7300 N 1641 lbf	9000 N 2023 lbf

Specification

Wheel tread / Wheel core

Plastic, polyamide (PA)

- Single part
- White
- Hardness 70 Shore D

Operating temperature

-22 °F to 176 °F (-30 °C to +80 °C)

RoHS

Wheels EN 22892 are used in industrial and public indoor areas for moving transport carts, for example.

The wheel tread offers low rolling resistance as well as good wear and tearing resistance.

With bearing type K, the low wear on the ball bearing increases the service life, and the mounting to the inner ring can be accomplished with zero axial backlash.

see also...

	Page
EN 22892 Medium Duty Casters (with Bracket, Light Version)	QVX
EN 22892 Medium Duty Casters (with Bracket, Light Version, with Leveling Foot)	QVX
EN 22892 Medium Duty Casters (with Bracket, Medium Version)	QVX
EN 22892 Heavy Duty Casters (with Bracket, Heavy Version)	QVX

Technical Information

Operating Conditions of Wheels and Casters	QVX
Technical Information for Wheels and Casters	QVX
Plastic Characteristics	QVX

How to order

EN 22892-80-G-A

- 1** Wheel diameter d₁
- 2** Bearing type
- 3** Type

3.1
3.2
3.3
3.4
3.5
3.6
3.7
3.8
3.9
3.10

