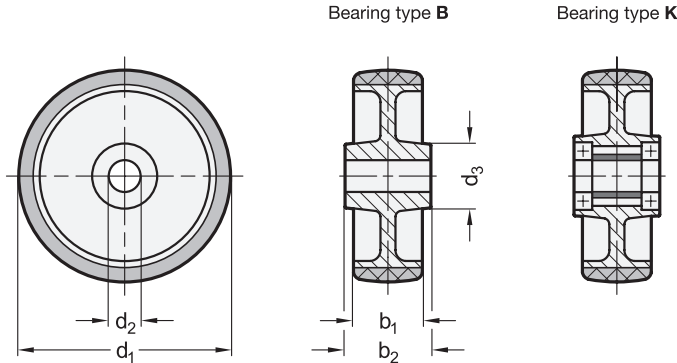


Metric



elesa
Original design RE.F4

2 Bearing type

- B** Bore
- K** Annular ball bearing

3 Bracket type

- A** Wheel without bracket

Metric table



Dimensions in: millimeters / inches

d ₁ Wheel Ø	b ₁		b ₂		d ₂		d ₃	Recommended ergonomic max. load		Max. static load capacity		Max. dynamic load capacity	
	Bearing type B	Bearing type K	Bearing type B	Bearing type K	Bearing type B	Bearing type K		Bearing type B	Bearing type K	Bearing type B	Bearing type K	Bearing type B	Bearing type K
100 3.94	40 1.57	38 1.50	45 1.77	40 1.57	15 0.59	15 0.59	55 2.17	-	2200 N 495 lbf	5000 N 1124 lbf	5000 N 1124 lbf	3000 N 674 lbf	3800 N 854 lbf
125 4.92	40 1.57	50 1.97	60 2.36	55 2.17	20 0.79	20 0.79	60 2.36	-	2700 N 607 lbf	6000 N 1349 lbf	8000 N 1798 lbf	4500 N 1012 lbf	5500 N 1236 lbf
150 5.91	50 1.97	50 1.97	60 2.36	55 2.17	20 0.79	20 0.79	70 2.76	-	2900 N 652 lbf	9100 N 2046 lbf	9100 N 2046 lbf	7500 N 1686 lbf	7000 N 1574 lbf
200 7.87	50 1.97	50 1.97	60 2.36	55 2.17	20 0.79	20 0.79	70 2.76	-	3800 N 854 lbf	15000 N 3372 lbf	15000 N 3372 lbf	9500 N 2136 lbf	10000 N 2248 lbf
250 9.84	80 3.15	78 3.07	80 3.15	86 3.39	40 1.57	25 0.98	95 3.74	-	5000 N 1124 lbf	28000 N 6295 lbf	28000 N 6295 lbf	16000 N 3597 lbf	19000 N 4271 lbf
300 11.81	100 3.94	78 3.07	100 3.94	86 3.39	50 1.97	30 1.18	120 4.72	-	6000 N 1349 lbf	42000 N 9442 lbf	34000 N 7644 lbf	25000 N 5620 lbf	23000 N 5171 lbf

Specification

Wheel tread

Plastic, polyurethane (PUR)

- Cast
- Yellow
- Hardness 92 Shore A

Wheel core

Cast iron

Operating temperature

-4 °F to 176 °F (-20 °C to +80 °C)

RoHS

Wheels EN 22887 are used in industrial and public indoor areas for moving transport carts, for example.

The wheel tread offers low rolling resistance as well as good wear and tearing resistance.

With bearing type K, the low wear on the ball bearing increases the service life, and the mounting to the inner ring can be accomplished with zero axial backlash. Bearing type B is designed for application-specific hub machining or the insertion of a keyway.

see also...

	Page
EN 22887 Medium Duty Casters (with Bracket, Medium Version)	QVX
EN 22887 Heavy Duty Casters (with Bracket, Heavy Version)	QVX
EN 22887 Heavy Duty Casters (with Bracket, Extra-Heavy Version)	QVX
EN 22885 Wheels (ESD Version)	QVX
EN 22886 Wheels (Aluminum Wheel Core)	QVX

Technical Information

Operating Conditions of Wheels and Casters	QVX
Technical Information for Wheels and Casters	QVX
Plastic Characteristics	QVX

How to order

EN 22887-300-B-A

- 1** Wheel diameter d₁
- 2** Bearing type
- 3** Bracket type

3.1
3.2
3.3
3.4
3.5
3.6
3.7
3.8
3.9
3.10

