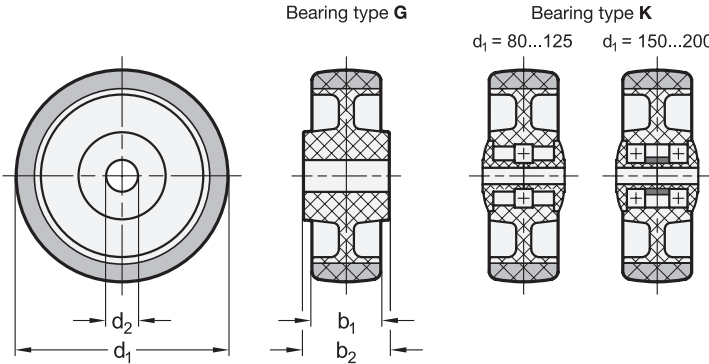


Metric



elesa
Original design RE.FF

2 Bearing type

- G** Friction bearing
- K** Annular ball bearing

3 Type

- A** Wheel without bracket

Metric table



Dimensions in: millimeters / inches

d ₁ Wheel Ø	b ₁	b ₂		d ₂		Recommended ergonomic maximum load		Max. static load capacity	Max. dynamic load capacity	
		Bearing type G	Bearing type K	Bearing type G	Bearing type K	Bearing type G	Bearing type K		Bearing type G	Bearing type K
80 3.15	30 1.18	39 1.54	40 1.57	12 0.47	8 0.31	1200 N 270 lbf	1300 N 292 lbf	2200 N 495 lbf	1200 N 270 lbf	1300 N 292 lbf
100 3.94	30 1.18	44 1.73	45 1.77	12 0.47	8 0.31	1700 N 382 lbf	2000 N 450 lbf	3000 N 674 lbf	1700 N 382 lbf	2000 N 450 lbf
125 4.92	35 1.38	44 1.73	45 1.77	15 0.59	8 0.31	2300 N 517 lbf	2500 N 562 lbf	3500 N 787 lbf	2300 N 517 lbf	2500 N 562 lbf
150 5.91	45 1.77	59 2.32	60 2.36	20 0.79	12 0.47	2800 N 629 lbf	3000 N 674 lbf	7000 N 1574 lbf	3500 N 787 lbf	3500 N 787 lbf
200 7.87	50 1.97	59 2.32	60 2.36	20 0.79	12 0.47	3200 N 719 lbf	3600 N 809 lbf	7500 N 1686 lbf	4500 N 1012 lbf	4500 N 1012 lbf

Specification

Wheel tread

Thermoplastic polyurethane (TPU)

- Injection molded
- Orange
- Hardness 55 Shore D

Wheel core

Plastic, polyamide (PA)

Operating temperature

5 °F to 176 °F (-15 °C to +80 °C)

RoHS

Wheels EN 22882 are used in industrial and public indoor areas for moving transport carts, for example.

The wheel tread offers low rolling resistance and high elasticity as well as good wear and tearing resistance.

With bearing type K, the low wear on the ball bearing increases the service life, and the mounting to the inner ring can be accomplished with zero axial backlash.

see also...

	Page
EN 22882 Medium Duty Casters (with Bracket, Light Version)	QVX
EN 22882 Medium Duty Casters (with Bracket, Light Version, with Leveling Foot)	QVX
EN 22880 Wheels (Polyurethane Wheel Tread, Red)	QVX
EN 22884 Wheels (Polyurethane Wheel Tread, Blue)	QVX

Technical Information

Operating Conditions of Wheels and Casters	QVX
Technical Information for Wheels and Casters	QVX
Plastic Characteristics	QVX

How to order

EN 22882-200-K-A

- 1** Wheel diameter d₁
- 2** Bearing type
- 3** Type

3.1
3.2
3.3
3.4
3.5
3.6
3.7
3.8
3.9
3.10

