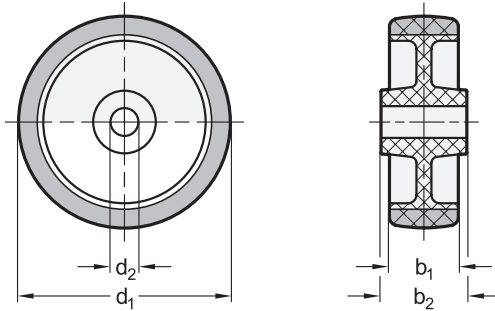


Metric



elesa
Original design RE.C6

2 Bearing type

G Friction bearing

3 Type

A Wheel without bracket

Metric table



Dimensions in: millimeters / inches

d ₁ Wheel Ø	b ₁	b ₂	d ₂	Max. dynamic load capacity
40 1.57	18 0.71	21 0.83	8 0.31	400 N 89.92 lbf
50 1.97	18 0.71	22 0.87	8 0.31	550 N 124 lbf
60 2.36	24 0.94	28 1.10	8 0.31	700 N 157 lbf

Specification

Wheel tread

Thermoplastic polyurethane (TPU)

- Injection molded
- Red
- Hardness 55 Shore D

Wheel core

Plastic, polyamide (PA)

Operating temperature

23 °F to 104 °F (-5 °C to +40 °C)

RoHS

Wheels EN 22880 are used in industrial and public indoor areas for moving light materials and equipment, for example.

The wheel tread offers low rolling resistance and high elasticity as well as good wear and tearing resistance. It is good at overcoming obstacles.

see also...

	Page
EN 22880 Light Duty Casters (Light Version)	QVX
EN 22880 Light Duty Casters (Double Wheel Version)	QVX
EN 22870 Wheels (Rubber Wheel Tread, Polypropylene Wheel Core)	QVX
EN 22882 Wheels (Polyurethane Wheel Tread, Orange)	QVX
EN 22884 Wheels (Polyurethane Wheel Tread, Blue)	QVX

Technical Information

Operating Conditions of Wheels and Casters	QVX
Technical Information for Wheels and Casters	QVX
Plastic Characteristics	QVX

How to order

EN 22880-60-G-A

1	Wheel diameter d ₁
2	Bearing type
3	Type

3.1
3.2
3.3
3.4
3.5
3.6
3.7
3.8
3.9
3.10

