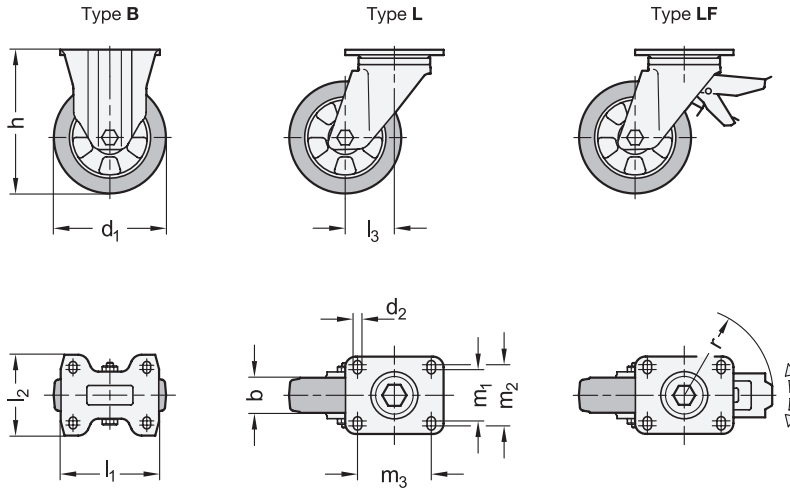


Metric



elesa
Original design RE.G2

2 Bearing type

K Annular ball bearing

3 Bracket type

B Rigid bracket

L Swivel bracket with mounting plate

LF Swivel bracket with mounting plate, with total lock brake

4 Coding

M Medium version

Metric table

1

Dimensions in: millimeters / inches

d ₁ Wheel Ø	b	d ₂	h	l ₁	l ₂		l ₃	m ₁	m ₂		m ₃	r	Max. dynamic load capacity
					Type B	Type L / LF			Type B	Type L / LF			
100* 3.94	40 1.57	9 0.35	138 5.43	100 3.94	85 3.35	85 3.35	46 1.81	60 2.36	-	-	80 3.15	-	1800 N 405 lbf
125* 4.92	50 1.97	11 0.43	170 6.69	140 5.51	115 4.53	110 4.33	70 2.76	73 2.87	85 3.35	87 3.43	105 4.13	-	2300 N 517 lbf
160 6.30	50 1.97	11 0.43	205 8.07	140 5.51	115 4.53	110 4.33	70 2.76	73 2.87	85 3.35	87 3.43	105 4.13	126 4.96	3000 N 674 lbf
200 7.87	50 1.97	11 0.43	250 9.84	140 5.51	115 4.53	110 4.33	70 2.76	73 2.87	85 3.35	87 3.43	105 4.13	126 4.96	5000 N 1124 lbf

* Only available in type B and type L

Specification

Wheel tread

- Natural rubber (NR)
- Black
- Hardness 70 Shore A

Wheel core

Aluminum die-cast

Bracket

Steel sheet metal, zinc plated

ST

Swivel head bracket

- Dual grease-lubricated ball bearing
- Dust protection ring on type L / LF
- Plastic, polyethylene (PE)

Operating temperature

-4 °F to +158 °F (-20 °C to +70 °C)

RoHS

Technical Information

Page

Operating Conditions of Wheels and Casters	QVX
Technical Information for Wheels and Casters	QVX
Plastic Characteristics	QVX

Medium duty casters EN 22875 are used in industrial and public indoor and outdoor areas for moving medium weight carts, for example.

The wheel tread is suitable for all floor types. It runs quietly and is gentle on floors while offering good obstacle clearing and vibration damping.

The low wear on the ball bearing increases the service life, and the mounting to the inner ring can be accomplished with zero axial backlash.

see also...

	Page
EN 22875 Wheels (without Bracket)	QVX
EN 22872 Medium Duty Casters (Thermoplastic Elastomer Wheel Tread)	QVX
EN 22873 Medium Duty Casters (Rubber Wheel Tread, Polypropylene Wheel Core)	QVX
EN 22874 Medium Duty Casters (Rubber Wheel Tread, Steel Sheet Metal Wheel Core)	QVX

How to order

1	Wheel diameter d₁
2	Bearing type
3	Bracket type
4	Coding
5	Bracket material

EN 22875-160-K-LF-M-ST