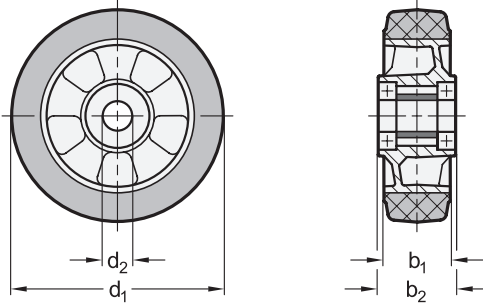


Metric



elesa
Original design RE.G2

2 Bearing type

K Annular ball bearing

3 Bracket type

A Wheel without bracket

Metric table



Dimensions in: millimeters / inches

d ₁ Wheel Ø	b ₁	b ₂	d ₂	Recommended ergonomic max. load	Max. static load capacity	Max. dynamic load capacity
100 3.94	40 1.57	40 1.57	15 0.59	1800 N 405 lbf	2500 N 562 lbf	1800 N 405 lbf
125 4.92	50 1.97	59 2.32	20 0.79	2300 N 517 lbf	3200 N 719 lbf	2300 N 517 lbf
160 6.30	50 1.97	58 2.28	20 0.79	3000 N 674 lbf	4200 N 944 lbf	3000 N 674 lbf
200 7.87	50 1.97	58 2.28	20 0.79	3000 N 674 lbf	10000 N 2248 lbf	5000 N 1124 lbf

Specification

Wheel tread

Natural rubber (NR)

- Black
- Hardness 70 Shore A

Wheel core

Aluminum die-cast

Operating temperature

-4 °F to +158 °F (-20 °C to +70 °C)

RoHS

Wheels EN 22875 are used in industrial and public indoor and outdoor areas for moving medium weight carts, for example.

The wheel tread is suitable for all floor types. It runs quietly and is gentle on floors while offering good obstacle clearing and vibration damping.

The low wear on the ball bearing increases the service life, and the mounting to the inner ring can be accomplished with zero axial backlash.

see also...

	Page
EN 22875 Medium Duty Casters (with Bracket, Medium Version)	QVX
EN 22872 Wheels (Thermoplastic Elastomer Wheel Tread)	QVX
EN 22873 Wheels (Rubber Wheel Tread, Polypropylene Wheel Core)	QVX
EN 22874 Wheels (Rubber Wheel Tread, Steel Sheet Metal Wheel Core)	QVX

Technical Information

Operating Conditions of Wheels and Casters	QVX
Technical Information for Wheels and Casters	QVX
Plastic Characteristics	QVX

How to order

EN 22875-125-K-A

- 1 Wheel diameter d₁
- 2 Bearing type
- 3 Bracket type