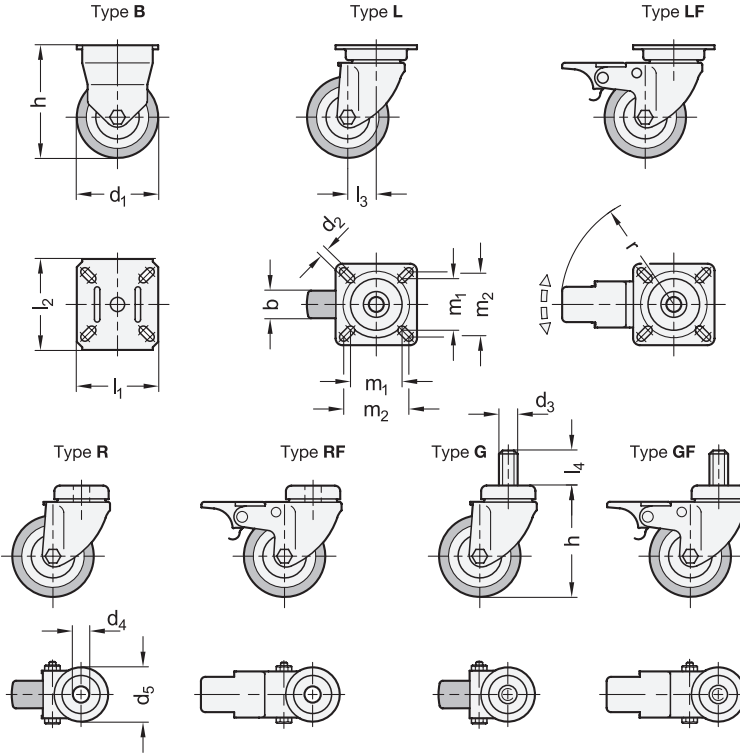


3.1
3.2
3.3
3.4
3.5
3.6
3.7
3.8
3.9
3.10



Metric



elesa
Original design RE.C7-C.

2 Bearing type

G Friction bearing

3 Bracket type

B Rigid bracket

L Swivel bracket with mounting plate

LF Swivel bracket with mounting plate, with total lock brake

R Swivel bracket with center hole

RF Swivel bracket with center hole, with total lock brake

G Swivel bracket with threaded stud

GF Swivel bracket with threaded stud, with total lock brake

4 Coding

L Light version

Metric table

Wheel Ø	d ₁	b	d ₂	d ₃	d ₄	d ₅	h	l ₁		l ₂		l ₃	l ₄	m ₁		m ₂		r	Max. dynamic load capacity
								Type B	Type L / LF	Type B	Type L / LF			Type B	Type L / LF	Type B	Type L / LF		
40	18	5	M 8	10	35	59	48	42	48	42	24	15	27	30	33	33	78	300 N	
1.57	0.71	0.20		0.39	1.38	2.32	1.89	1.65	1.89	1.65	0.94	0.59	1.06	1.18	1.30	1.30	3.07	67.44 lbf	
50	18	6	M 8	10	35	66	55	55	55	55	24	15	38.5	38.5	44	44	78	350 N	
1.97	0.71	0.24		0.39	1.38	2.60	2.17	2.17	2.17	2.17	0.94	0.59	1.52	1.52	1.73	1.73	3.07	78.68 lbf	
60	24	6	M 12	12	42	82	60	60	67	60	21	25	38.5	38.5	47	48	83	500 N	
2.36	0.94	0.24		0.47	1.65	3.23	2.36	2.36	2.64	2.36	0.83	0.98	1.52	1.52	1.85	1.89	3.23	112 lbf	
80	24	6	M 12	12	42	104	60	60	67	60	30	25	38.5	38.5	47	48	91	550 N	
3.15	0.94	0.24		0.47	1.65	4.09	2.36	2.36	2.64	2.36	1.18	0.98	1.52	1.52	1.85	1.89	3.58	124 lbf	

Specification

Wheel tread

- Natural rubber (NR), gray
- Abrasion-resistant
- Hardness 80 Shore A

Wheel core

Plastic, polypropylene (PP)

Thread guard

- Polyamide (PA) for d₁ = 40 mm
- Steel for d₁ > 40 mm

Bracket

Steel sheet metal, zinc plated

ST

Swivel head bracket

Dual grease-lubricated ball bearing

Operating temperature,

+23 °F to +40 °F (-5 °C to +40 °C)

RoHS

Light duty casters EN 22870 are used in industrial and public indoor areas for moving light materials and equipment, for example.

The wheel tread offers low rolling resistance and high elasticity. It is gentle on floors and good at overcoming obstacles.

The integrated thread guard prevents textile threads from wrapping around the wheel axle and protects the bearing from soiling.

Technical Information

	Page
Operating Conditions of Wheels and Casters	QVX
Technical Information for Wheels and Casters	QVX
Plastic Characteristics	QVX

How to order

1	Wheel diameter d ₁
2	Bearing type
3	Bracket type
4	Coding
5	Bracket material

EN 22870-50-G-LF-L-ST