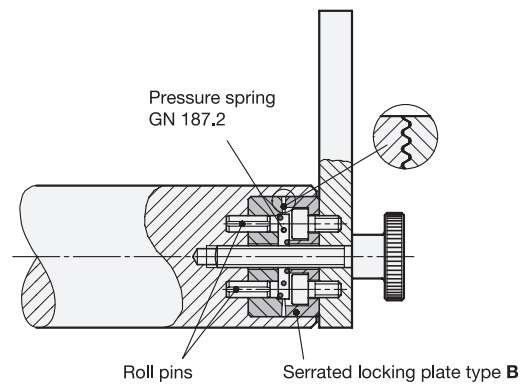
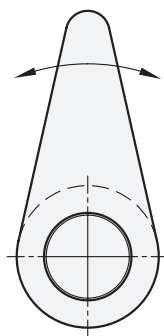


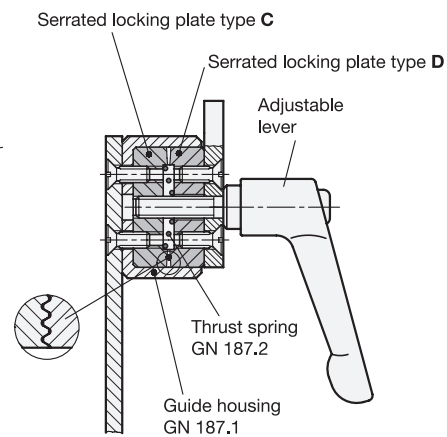
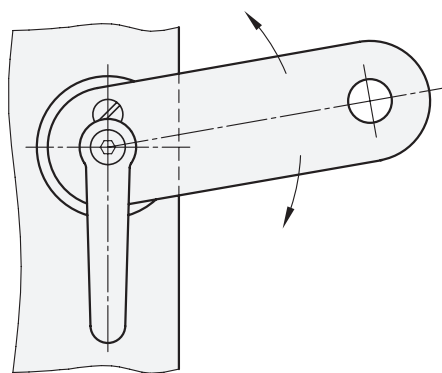
z Tooth count	Angle steps	Possible angles / index positions
48	7.5°	0° 7.5° 15° 30° 45° 60° 90°
60	6°	0° 6° 12° 18° 24° 30° 60° 90°

Application examples

Connection cam / shaft



Adjustable link on sheet metal construction



3.1
3.2
3.3
3.4
3.5
3.6
3.7
3.8
3.9
3.10

