

4 Type (Base)

C3 Polished, rubber pad vulcanized, black

Specification

- Base
Stainless steel AISI 304
- Threaded stud
Stainless steel AISI 303
- Hex nut ISO 4032
Stainless steel AISI 304
- Rubber pad
Acrylonitrile butadiene rubber (NBR)
 - Black
 - FDA compliant
 - Hardness 85±5 shore A
 - Vulcanized
- *Load Rating Information* → page QVX
- *Plastic Characteristics* → page QVX
- *Stainless Steel Characteristics* → page QVX
- **RoHS compliant**

On request

- Rubber pad available in various colors

Information

Leveling feet GN 17 are suitable for use in aggressive environments.

The inclined surfaces for liquid runoff and the high surface quality of the base plate simplify cleaning and prevent the accumulation of dust or dirt. The FDA compliant and vulcanized rubber underlay seals the base against the resting surface and allows the feet to be used in food-processing areas or the pharmaceutical industry, for example.

The leveling feet are supplied assembled and cannot be disassembled.

see also...

- *Leveling Feet GN 18 (Stainless Steel AISI 316L)* → page QVX
- *Leveling Feet GN 19 (Stainless Steel, Hygienic Design)* → page QVX
- *Leveling Feet GN 31 (Stainless Steel, with Rubber Pad)* → page QVX
- *Leveling Feet GN 33 (Stainless Steel, with Mounting Flange)* → page QVX
- *Leveling Feet GN 41 (Stainless Steel, with / without Rubber Pad)* → page QVX

How to order	
1	Foot diameter d_1
2	Thread d_2
3	Length l_1 (l_2, l_3)
4	Type (Base)
5	Version (Stud)

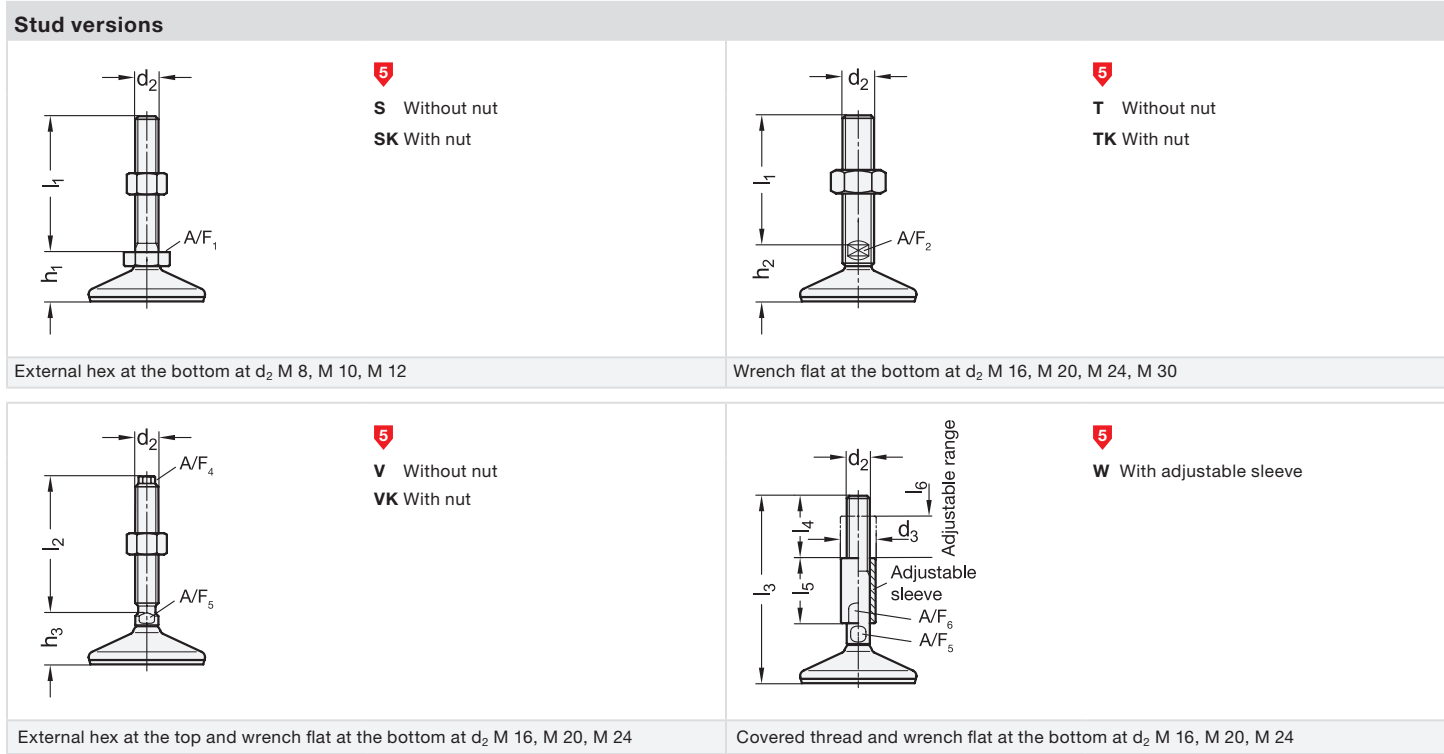
1 2 3 4 5
GN 17-80-M20-100-C3-T



Metric table

Dimensions in: millimeters - inches

d ₁	d ₂ Thread	I ₁				I ₂						I ₃							
		Version S / SK				Version T / TK						Version V / VK				Version W			
60 2.36	M 8	40 1.57	50 1.97	63 2.48	-	-	-	-	-	-	-	-	-	-	-	-	-	-	-
60 2.36	M 10	50 1.97	60 2.36	80 3.15	100 3.94	-	-	-	-	-	-	-	-	-	-	-	-	-	-
60 2.36	M 12	60 2.36	80 3.15	100 3.94	125 4.92	-	-	-	-	-	-	-	-	-	-	-	-	-	-
60 2.36	M 16	-	-	-	-	75 2.95	100 3.94	125 4.92	150 5.91	200 7.87	250 9.84	75 2.95	100 3.94	125 4.92	150 5.91	129 5.08	154 6.06	179 7.05	204 8.03
80 3.15	M 8	40 1.57	50 1.97	63 2.48	-	-	-	-	-	-	-	-	-	-	-	-	-	-	-
80 3.15	M 10	50 1.97	60 2.36	80 3.15	100 3.94	-	-	-	-	-	-	-	-	-	-	-	-	-	-
80 3.15	M 12	60 2.36	80 3.15	100 3.94	125 4.92	-	-	-	-	-	-	-	-	-	-	-	-	-	-
80 3.15	M 16	-	-	-	-	75 2.95	100 3.94	125 4.92	150 5.91	200 7.87	250 9.84	75 2.95	100 3.94	125 4.92	150 5.91	131 5.16	156 6.14	181 7.13	206 8.11
80 3.15	M 20	-	-	-	-	75 2.95	100 3.94	125 4.92	150 5.91	200 7.87	250 9.84	100 3.94	125 4.92	150 5.91	200 7.87	155 6.10	180 7.09	205 8.07	255 10.04
80 3.15	M 24	-	-	-	-	100 3.94	125 4.92	150 5.91	200 7.87	300 11.81	-	100 3.94	150 5.91	200 7.87	-	179 7.05	229 9.02	279 10.98	-
100 3.94	M 8	40 1.57	50 1.97	63 2.48	-	-	-	-	-	-	-	-	-	-	-	-	-	-	-
100 3.94	M 10	50 1.97	60 2.36	80 3.15	100 3.94	-	-	-	-	-	-	-	-	-	-	-	-	-	-
100 3.94	M 12	60 2.36	80 3.15	100 3.94	125 4.92	-	-	-	-	-	-	-	-	-	-	-	-	-	-
100 3.94	M 16	-	-	-	-	75 2.95	100 3.94	125 4.92	150 5.91	200 7.87	250 9.84	75 2.95	100 3.94	125 4.92	150 5.91	133 5.24	158 6.22	183 7.20	208 8.19
100 3.94	M 20	-	-	-	-	75 2.95	100 3.94	125 4.92	150 5.91	200 7.87	250 9.84	100 3.94	125 4.92	150 5.91	200 7.87	157 6.18	182 7.17	207 8.15	257 10.12
100 3.94	M 24	-	-	-	-	100 3.94	125 4.92	150 5.91	200 7.87	300 11.81	-	100 3.94	150 5.91	200 7.87	-	181 7.13	231 9.09	281 11.06	-
120 4.72	M 20	-	-	-	-	75 2.95	100 3.94	125 4.92	150 5.91	200 7.87	250 9.84	-	-	-	-	-	-	-	-
120 4.72	M 24	-	-	-	-	100 3.94	125 4.92	150 5.91	200 7.87	300 11.81	-	-	-	-	-	-	-	-	-
120 4.72	M 30	-	-	-	-	100 3.94	125 4.92	150 5.91	200 7.87	300 11.81	-	-	-	-	-	-	-	-	-



Dimensions in: millimeters - inches

d ₁	d ₂ Thread			d ₃	h ₁	h ₂	h ₃	l ₄	l ₅	l ₆	s	A/F ₁	A/F ₂	A/F ₄	A/F ₅	A/F ₆	w in °
60 2.36	M 8	M 10	M 12	-	31 1.22	-	-	-	-	-	2 0.08	17 0.67	-	-	-	-	32
60 2.36	M 16	-	-	24 0.94	-	37 1.46	33 1.30	45 1.77	45 1.77	29 1.14	2 0.08	-	12 0.47	10 0.39	12 0.47	20 0.79	32
80 3.15	M 8	M 10	M 12	-	33 1.30	-	-	-	-	-	2 0.08	17 0.67	-	-	-	-	26
80 3.15	M 16	-	-	24 0.94	-	39 1.54	35 1.38	45 1.77	45 1.77	29 1.14	2 0.08	-	12 0.47	10 0.39	12 0.47	20 0.79	26
80 3.15	M 20	-	-	30 1.18	-	39 1.54	36 1.42	56 2.20	56 2.20	36 1.42	2 0.08	-	15 0.59	13 0.51	16 0.63	24 0.94	26
80 3.15	M 24	-	-	35 1.38	-	41 1.61	38 1.50	67 2.64	67 2.64	42 1.65	2 0.08	-	19 0.75	17 0.67	20 0.79	30 1.18	26
100 3.94	M 8	M 10	M 12	-	35 1.38	-	-	-	-	-	2 0.08	17 0.67	-	-	-	-	22
100 3.94	M 16	-	-	24 0.94	-	41 1.61	37 1.46	45 1.77	45 1.77	29 1.14	2 0.08	-	12 0.47	10 0.39	12 0.47	20 0.79	22
100 3.94	M 20	-	-	30 1.18	-	41 1.61	38 1.50	56 2.20	56 2.20	36 1.42	2 0.08	-	15 0.59	13 0.51	16 0.63	24 0.94	22
100 3.94	M 24	-	-	35 1.38	-	43 1.69	40 1.57	67 2.64	67 2.64	42 1.65	2 0.08	-	19 0.75	17 0.67	20 0.79	30 1.18	22
120 4.72	M 20	-	-	-	-	43 1.69	-	-	-	-	2 0.08	-	15 0.59	-	-	-	20
120 4.72	M 24	-	-	-	-	46 1.81	-	-	-	-	2 0.08	-	19 0.75	-	-	-	20
120 4.72	M 30	-	-	-	-	50 1.97	-	-	-	-	2 0.08	-	24 0.94	-	-	-	20

3.1
3.2
3.3
3.4
3.5
3.6
3.7
3.8
3.9
3.10

