

# GN 162.1

Aluminum / Stainless Steel

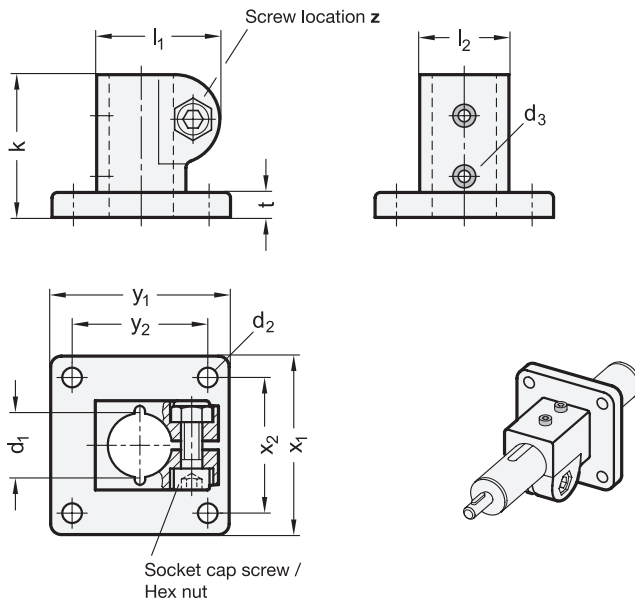
# Base Plate Linear Actuator Connectors

with 4 Mounting Holes



**JW WINCO**

A Ganter Company



**SS** Stainless Steel

- 2 Identification no.
- 2 With stainless steel socket cap screw DIN 912

## Metric table

Dimensions in: millimeters - inches

d <sub>1</sub> Bore		d <sub>2</sub>	d <sub>3</sub> Mounting screws on the drive key	k Clamping length	l <sub>1</sub>	l <sub>2</sub>	t	x <sub>1</sub>	x <sub>2</sub>	y <sub>1</sub>	y <sub>2</sub>	z Screw location for screw size
Without sleeve bearing	With sleeve bearing											
B 18*	G 18	5.5 0.22	M 3	40 1.57	34.5 1.36	25 0.98	7 0.28	50 1.97	38 1.50	50 1.97	38 1.50	M6-20

\*Only available in aluminum

## Specification

- Body  
Aluminum  
Powder coated  
Black, RAL 9005, textured finish **SW**
- Body  
Stainless steel AISI CF-8  
- Matte shot-blasted finish  
- Only with sleeve bearing **NI**
- Sleeve bearing  
Plastic (PTFE)
- Socket cap screws DIN 912  
Stainless steel AISI 304
- Hex nuts DIN 985  
Stainless steel AISI 304  
Self-locking via polyamide ring
- *Plastic Characteristics* → page QVX
- *Stainless Steel Characteristics* → page QVX
- **RoHS compliant**

## On request

- Inch size bores

## Information

GN 162.1 base plate linear actuator connectors are based on base plate connector clamps. The additionally provided mounting holes are used to connect to the drive key of a linear actuator. Bores with the designation "G" are equipped with sleeve bearings.

With the screw location **z**, the play of the guide bore d<sub>1</sub> can be adjusted or the linear actuator connectors can be clamped after adjustment.

see also...

- *Linear Actuators GN 291* → page QVX
- *Linear Actuators GN 292* → page QVX

How to order (Aluminum)	1 Bore d <sub>1</sub>
	2 Identification no.
	3 Finish
<b>GN 162.1-B18-2-SW</b>	

How to order (Stainless steel)	1 Bore d <sub>1</sub>
	2 Identification no.
	3 Material
<b>GN 162.1-G18-2-NI</b>	

3.1  
3.2  
3.3  
3.4  
3.5  
3.6  
3.7  
3.8  
3.9  
3.10