

Metric table

Dimensions in: millimeters - inches												
1	2											
l_1	l_2	a	d_1	d_2	h_1	h_2	l_3	l_4	l_5	m_1	m_2	s
35	64	2	5.5	8	16	9	16	31	6	19	19	8.5
1.38	2.52	0.08	0.22	0.31	0.63	0.35	0.63	1.22	0.24	0.75	0.75	0.33

Specification

- Body
Plastic
Technopolymer (Polyamide PA)
- Glass fiber reinforced
- Black, matte finish
- Temperature resistant up to 176 °F (80 °C)
- Pin
Plastic
Technopolymer (Polyacetal POM)
- Load Rating Information → page 2095
- Plastic Characteristics → page 2135
- RoHS compliant

Information

On EN 160.1 lift-off hinges, the two pin halves that form the fulcrum are offset from each other by 0.5 mm, and therefore are eccentric. Because of this design, the position of the door can be altered or adjusted in relation to the door frame.

see also...

- List of Hinge Types → page 1324
- Lift-Off Hinges EN 160 → www.jwwinco.com
- Lift-Off Hinges GN 161.2 (Zinc Die-Cast) → www.jwwinco.com

How to order	1 Width l_1
	2 Length l_2

EN 160.1-35-64

Construction and assembly instruction

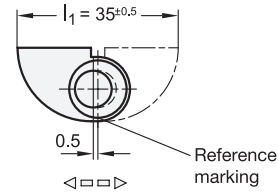
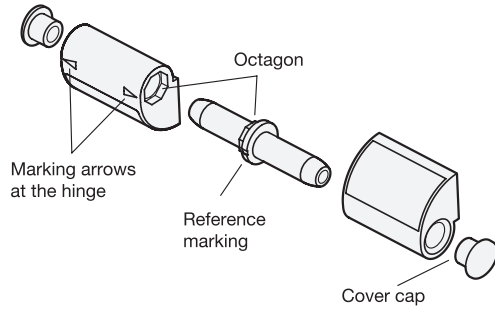
The hinge section is to be attached to the door frame with the octagon holder.

The caps are removable, allowing the pin to be inserted from both sides. Therefore, the fixed hinge section can be attached to a door frame positioned either on the left or on the right.

First insert the pin such that the reference marking of the pin coincides with the arrow at the hinge.

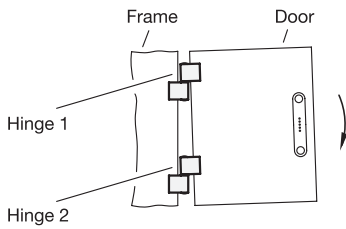
The eccentric pin is to be placed in eight positions via the octagon.

Depending on position, l_1 changes: min. 34.5 / max. 35.5 mm.



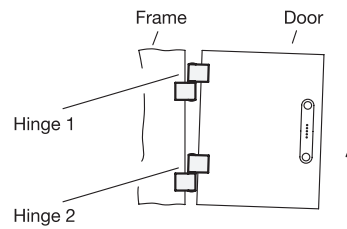
Aligning the door

To align the door, the eccentric pin of the top and bottom hinge may be turned into the required position.



Hinge 1: Turn pin counter-clockwise

Hinge 2: Turn pin clockwise

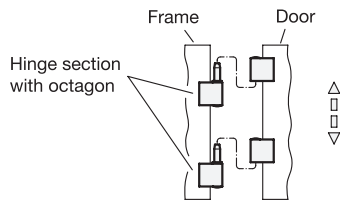


Hinge 1: Turn pin clockwise

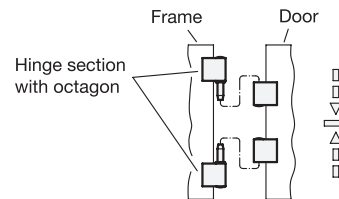
Hinge 2: Turn pin counter-clockwise

Hinge layout

Door to be unhinged



Door not to be unhinged



Top hinge section:

Pin turned by 180°, cover cap attached on the opposite side.

The top hinge section may be mounted to the frame only after the bottom hinge has been hung.

