

GN 146

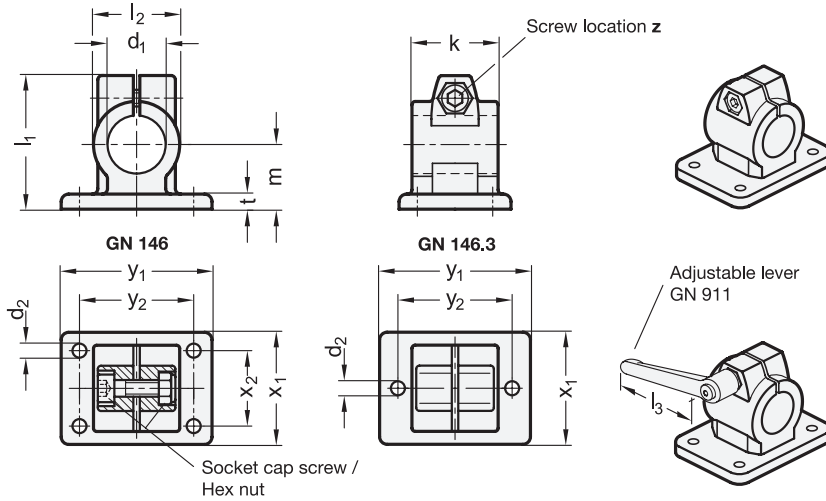
with 4 Mounting Holes

GN 146.3

with 2 Mounting Holes

Flanged Connector Clamps

Aluminum



Identification no.
2 With stainless steel socket cap screw DIN 912

Specification

- Body
Aluminum
- Powder coated
Black, RAL 9005, textured finish **● SW**
- Plain, matte shot-blasted finish **○ BL**
- Socket cap screws DIN 912
Stainless steel AISI 304
- Hex nuts DIN 985
Stainless steel AISI 304
Self-locking via polyamide ring
- [Stainless Steel Characteristics](#) → page 2143
- [RoHS compliant](#)

Information

The clamping bore of GN 146 / GN 146.3 flanged connector clamps is mechanically machined and designed for GN 990 or DIN 2391, DIN 2395 and DIN 2462 construction tubes.

GN 146.3 flanged connector clamps can also be mounted to **profile systems**.

At the screw location **z**, the socket cap screw reduces the bore cross-section for clamping.

For clamping without tools, the socket cap screw can be replaced by a GN 911 adjustable lever listed in the table as accessory.

see also...

- [Product Family Standard Parts for Profile Systems](#) → page 18
- [Construction Tubes GN 990](#) → page 1836
- [Flanged Linear Actuator Connectors GN 146.1](#) → page 1950

Accessory

- Adjustable levers GN 911 → [page 1810](#)

How to order (With 4 mounting holes)	1 Bore d_1
GN 146-B11/4-56-2-BL	2 Clamping length k
	3 Identification no.
	4 Finish
How to order (With 2 mounting holes)	1 Bore d_1
GN 146.3-B25-40-2-SW	2 Clamping length k
	3 Identification no.
	4 Finish

Inch table

Dimensions in: inches - millimeters

d ₁ Bore GN 146	k Clamping length	d ₂	l ₁	l ₂	m	t	x ₁	x ₂	y ₁	y ₂	z Screw location for screw size	Accessory Recommended lever GN 911 for z l ₃	
B 1.00	1.57 40	0.26 6.5	2.44 62	1.57 40	1.18 30	0.28 7	2.05 52	1.38 35	2.76 70	2.09 53	M8-25	-	-
B 1 1/4	2.20 56	0.26 6.5	3.27 83	2.20 56	1.65 42	0.39 10	3.07 78	2.05 52	4.25 108	3.23 82	M10-35	-	-
B 1 1/2	2.20 56	0.33 8.5	3.27 83	2.20 56	1.65 42	0.39 10	3.07 78	2.05 52	4.25 108	3.23 82	M10-35	3.07 78	3.62 92
B 1 3/4	2.56 65	0.43 11	3.74 95	2.56 65	1.97 50	0.55 14	3.62 92	2.44 62	5.04 128	3.86 98	M10-50	3.07 78	3.62 92
B 2.00	2.56 65	0.43 11	3.74 95	2.56 65	1.97 50	0.55 14	3.62 92	2.44 62	5.04 128	3.86 98	M10-50	3.07 78	3.62 92
B 2 1/2	3.15 80	0.43 11	4.02 102	3.15 80	2.36 60	0.55 14	4.33 110	2.91 74	6.06 154	4.65 118	M10-50	3.07 78	3.62 92

Metric table

Dimensions in: millimeters - inches

d ₁ Bore GN 146	GN 146.3	k Clamping length	d ₂	l ₁	l ₂	m	t	x ₁	x ₂	y ₁	y ₂	z Screw location for screw size	Accessory Recommended lever GN 911 for z l ₃	
B 20	B 20	40 1.57	6.5 0.26	62 2.44	40 1.57	30 1.18	7 0.28	52 2.05	35 1.38	70 2.76	53 2.09	M8-25	-	-
B 25	B 25	40 1.57	6.5 0.26	62 2.44	40 1.57	30 1.18	7 0.28	52 2.05	35 1.38	70 2.76	53 2.09	M8-25	63 2.48	78 3.07
B 30	B 30	40 1.57	6.5 0.26	62 2.44	40 1.57	30 1.18	7 0.28	52 2.05	35 1.38	70 2.76	53 2.09	M8-25	63 2.48	78 3.07
B 30	B 30	56 2.20	8.5 0.33	83 3.27	56 2.20	42 1.65	10 0.39	78 3.07	52 2.05	108 4.25	82 3.23	M10-35	-	-
B 32	B 32	56 2.20	8.5 0.33	83 3.27	56 2.20	42 1.65	10 0.39	78 3.07	52 2.05	108 4.25	82 3.23	M10-35	-	-
B 35	B 35	56 2.20	8.5 0.33	83 3.27	56 2.20	42 1.65	10 0.39	78 3.07	52 2.05	108 4.25	82 3.23	M10-35	92 3.62	-
B 40	B 40	56 2.20	8.5 0.33	83 3.27	56 2.20	42 1.65	10 0.39	78 3.07	52 2.05	108 4.25	82 3.23	M10-35	78 3.07	92 3.62
B 40	-	65 2.56	11 0.43	95 3.74	65 2.56	50 1.97	14 0.55	92 3.62	62 2.44	128 5.04	98 3.86	M10-50	-	-
B 42	-	65 2.56	11 0.43	95 3.74	65 2.56	50 1.97	14 0.55	92 3.62	62 2.44	128 5.04	98 3.86	M10-50	-	-
B 45	-	65 2.56	11 0.43	95 3.74	65 2.56	50 1.97	14 0.55	92 3.62	62 2.44	128 5.04	98 3.86	M10-50	78 3.07	92 3.62
B 48	-	65 2.56	11 0.43	95 3.74	65 2.56	50 1.97	14 0.55	92 3.62	62 2.44	128 5.04	98 3.86	M10-50	78 3.07	92 3.62
B 50	-	65 2.56	11 0.43	95 3.74	65 2.56	50 1.97	14 0.55	92 3.62	62 2.44	128 5.04	98 3.86	M10-50	78 3.07	92 3.62
B 50	-	80 3.15	11 0.43	112 4.41	80 3.15	60 2.36	14 0.55	110 4.33	74 2.91	154 6.06	118 4.65	M10-50	-	-
B 60	-	80 3.15	11 0.43	112 4.41	80 3.15	60 2.36	14 0.55	110 4.33	74 2.91	154 6.06	118 4.65	M10-50	78 3.07	92 3.62

3.1
3.2
3.3
3.4
3.5
3.6
3.7
3.8
3.9
3.10

