

- 2 Type**
- F** With rubber stop, locking device in retracted position, detach function
- 3 Identification no.**
- 1** Mounting with through holes

Metric table

l ₁	l ₂ ⁺³ / ₋₃ Stroke	l ₃	F _s per pair	
			at 10,000 cycles	at 100,000 cycles
250 <i>9.84</i>	250 <i>9.84</i>	500 <i>19.69</i>	200 N <i>44.96 lbf</i>	150 N <i>33.72 lbf</i>
300 <i>11.81</i>	300 <i>11.81</i>	600 <i>23.62</i>	200 N <i>44.96 lbf</i>	150 N <i>33.72 lbf</i>
350 <i>13.78</i>	350 <i>13.78</i>	700 <i>27.56</i>	220 N <i>49.46 lbf</i>	180 N <i>40.47 lbf</i>
400 <i>15.75</i>	400 <i>15.75</i>	800 <i>31.50</i>	250 N <i>56.20 lbf</i>	200 N <i>44.96 lbf</i>
450 <i>17.72</i>	450 <i>17.72</i>	900 <i>35.43</i>	250 N <i>56.20 lbf</i>	200 N <i>44.96 lbf</i>

Dimensions in: millimeters - *inches*

l ₁	l ₂ ⁺³ / ₋₃ Stroke	l ₃	F _s per pair	
			at 10,000 cycles	at 100,000 cycles
500 <i>19.69</i>	500 <i>19.69</i>	1000 <i>39.37</i>	220 N <i>49.46 lbf</i>	180 N <i>40.47 lbf</i>
550 <i>21.65</i>	550 <i>21.65</i>	1100 <i>43.31</i>	220 N <i>49.46 lbf</i>	180 N <i>40.47 lbf</i>
600 <i>23.62</i>	600 <i>23.62</i>	1200 <i>47.24</i>	200 N <i>44.96 lbf</i>	150 N <i>33.72 lbf</i>
650 <i>25.59</i>	650 <i>25.59</i>	1300 <i>51.18</i>	200 N <i>44.96 lbf</i>	150 N <i>33.72 lbf</i>
700 <i>27.56</i>	700 <i>27.56</i>	1400 <i>55.12</i>	200 N <i>44.96 lbf</i>	150 N <i>33.72 lbf</i>

Specification

- Slide profile
Steel, zinc plated, blue passivated finish **ZB**
- Balls
Rolling bearing steel, hardened
- Ball cage, outer slide
Plastic
- Ball cage, inner slide
Steel, zinc plated
- Rubber stop and detach function
Plastic / Elastomer
- Operating temperature -4 °F to +212 °F
(-20 °C to +100 °C)
- RoHS compliant

On request

- Other lengths and hole distances
- Other mounting options
- Other finishes

Information

GN 1408 telescopic slides are installed in pairs. The stroke reaches ≈ 100 % of the nominal length l₁ (full extension).

The telescopic slides are delivered in **pairs**. They can be installed on either the left or right side due to the design. All mounting holes are easy to reach through auxiliary holes. Only the mounting holes are shown, but other production-related holes may be present.

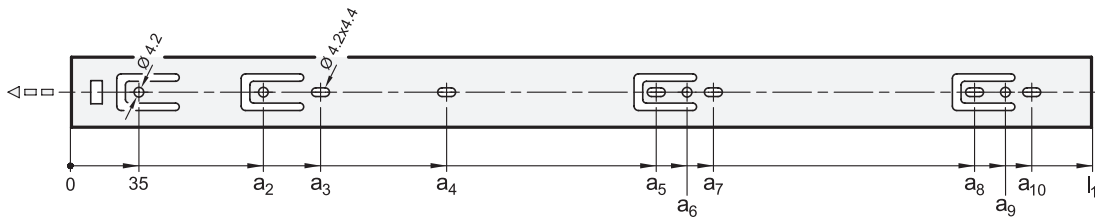
see also...

- [List of Telescopic Slide Types](#) → page 1856
- [Technical Information on Telescopic Slides](#) → page 1901
- [Telescopic Slides GN 1410 \(with Full Extension\)](#) → page 1865
- [Telescopic Slides GN 1450 \(with Full Extension\)](#) → page 1895
- [Telescopic Slides GN 1400 \(with Partial Extension\)](#) → page 1858

How to order	1 Length l ₁
	2 Type
	3 Identification no.
	4 Finish

GN 1408-600-F-1-ZB

Mounting holes - Outer slide

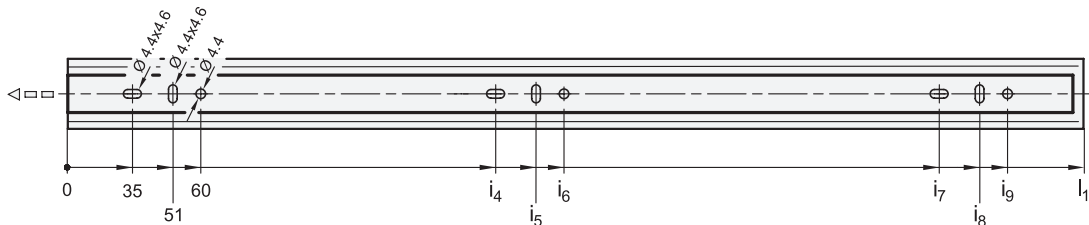


Metric table

Dimensions in: millimeters - inches

l_1	a_2	a_3	a_4	a_5	a_6	a_7	a_8	a_9	a_{10}
250 9.84	-	65 2.56	-	195 7.68	210 8.27	225 8.86	-	-	-
300 11.81	99 3.90	129 5.08	195 7.68	257 10.12	272 10.71	-	-	-	-
350 13.78	99 3.90	129 5.08	185 7.28	259 10.20	274 10.79	289 11.38	-	-	-
400 15.75	99 3.90	129 5.08	-	259 10.20	274 10.79	-	323 12.72	338 13.31	353 13.90
450 17.72	99 3.90	129 5.08	185 7.28	259 10.20	274 10.79	289 11.38	387 15.24	402 15.83	417 16.42
500 19.69	99 3.90	129 5.08	185 7.28	291 11.46	306 12.05	321 12.64	451 17.76	466 18.35	481 18.94
550 21.65	99 3.90	129 5.08	185 7.28	323 12.72	338 13.31	353 13.90	483 19.02	498 19.61	513 20.20
600 23.62	99 3.90	129 5.08	185 7.28	323 12.72	338 13.31	353 13.90	515 20.28	530 20.87	545 21.46
650 25.59	99 3.90	129 5.08	185 7.28	355 13.98	370 14.57	385 15.16	579 22.80	594 23.39	609 23.98
700 27.56	99 3.90	129 5.08	185 7.28	387 15.24	402 15.83	417 16.42	643 25.32	658 25.91	673 26.50

Mounting holes - Inner slide



Metric table

Dimensions in: millimeters - inches

l_1	i_4	i_5	i_6	i_7	i_8	i_9
250 9.84	195 7.68	211 8.31	220 8.66	-	-	-
300 11.81	114 4.49	130 5.12	139 5.47	227 8.94	243 9.57	252 9.92
350 13.78	163 6.42	179 7.05	188 7.40	291 11.46	307 12.09	316 12.44
400 15.75	163 6.42	179 7.05	188 7.40	355 13.98	371 14.61	380 14.96
450 17.72	195 7.68	211 8.31	220 8.66	387 15.24	403 15.87	412 16.22
500 19.69	227 8.94	243 9.57	252 9.92	451 17.76	467 18.39	476 18.74
550 21.65	259 10.20	275 10.83	284 11.18	483 19.02	499 19.65	508 20.00
600 23.62	259 10.20	275 10.83	284 11.18	515 20.28	531 20.91	540 21.26
650 25.59	291 11.46	307 12.09	316 12.44	579 22.80	595 23.43	604 23.78
700 27.56	323 12.72	339 13.35	348 13.70	643 25.32	659 25.95	668 26.30

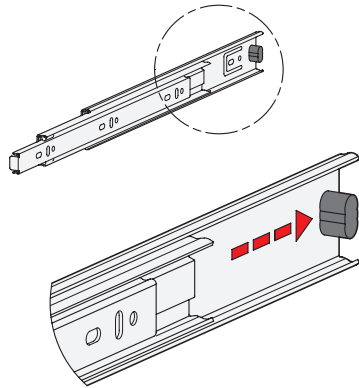
3.1
3.2
3.3
3.4
3.5
3.6
3.7
3.8
3.9
3.10

Mounting screws

For the listed loading forces F_S to be absorbed reliably in the surrounding structure, all available through holes of the outer slide having a \varnothing of 4.2 mm and of the inner slide having a \varnothing of 4.4 mm must be used. The slotted holes, \varnothing 4.2 x 4.4 mm of the outer slide and \varnothing 4.4 x 4.6 mm of the inner slide, are also used for mounting and facilitate adjustment. Failure to use mounting screws reduces the specified load capacity accordingly. The following screws can be used for mounting:

Designation - Standard		Outer slide	Inner slide
Socket button head screw	ISO 7380	M 4	M 4
Phillips pan head screw	ISO 7045	M 4	M 4
Phillips pan head self-tapping screw	ISO 7049	ST 3.9 / 4.2	ST 3.9 / 4.2

Rubber stop, locking device in retracted position

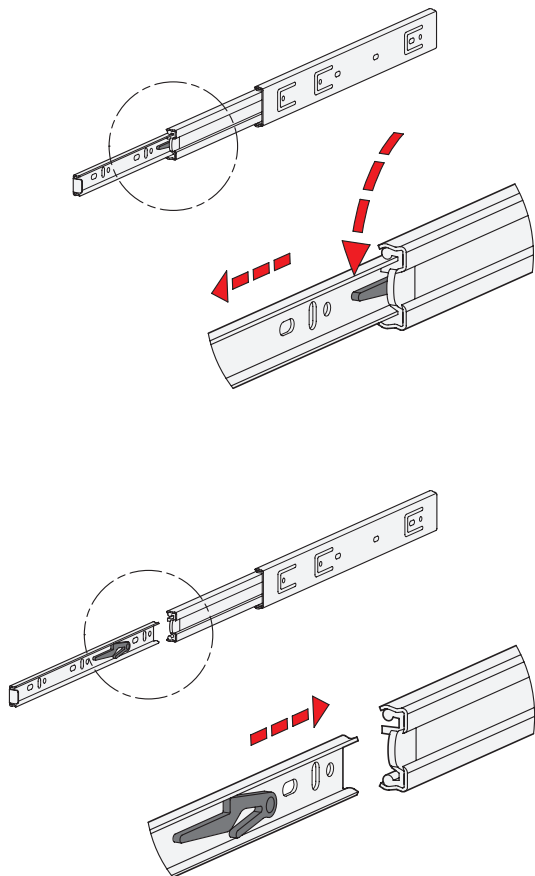


The rubber stops dampen the impact of the slide in the two end positions. This feature minimizes noise development and increases the service life. Attached to the slides in a partially concealed, partially visible manner, the stops meet each of the requirements in regards to shape, material, and hardness.

In the retracted end position, the rubber stop additionally takes on a locking function, which is noticeable through a slight resistance on opening and closing.

If larger static or dynamic loads occur in the direction of extension, they should be absorbed by additional end stops.

Detach function



The detach function allows the extension to be completely separated from one another in the area of the middle and inner slide. This feature not only facilitates mounting, it also allows the extension to be quickly removed, for example when frequent maintenance work is performed on the components located behind.

The telescopic slide can be quickly and easily detached in the extended position through activation of the release lever, allowing the inner slide to be removed from the front.

For re-attaching the slides, the ball cages need to be moved to the extended end position. Then the inner slide is inserted to the retracted end position where it locks into place automatically.

The protected arrangement of the release mechanism prevents accidental detachment of the slide.