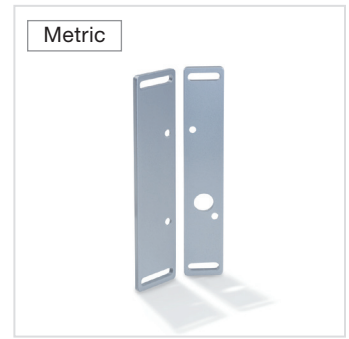
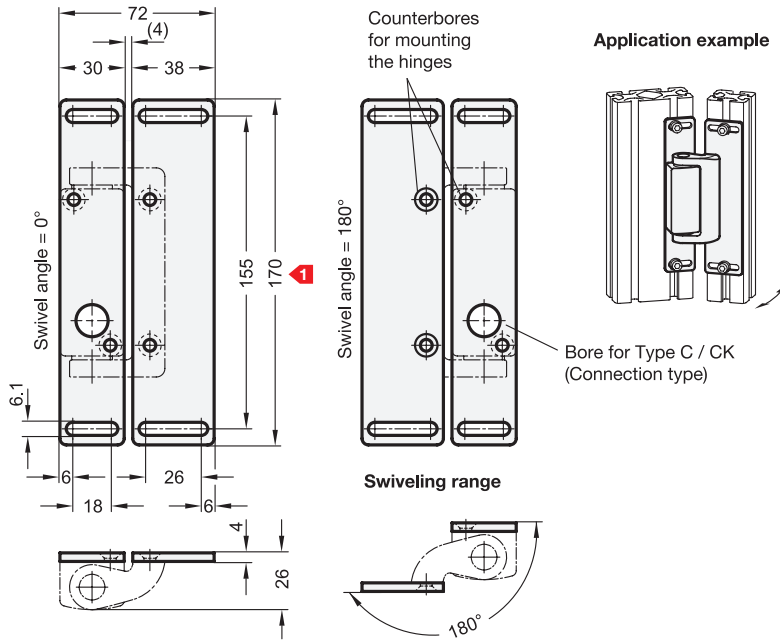


GN 139.3

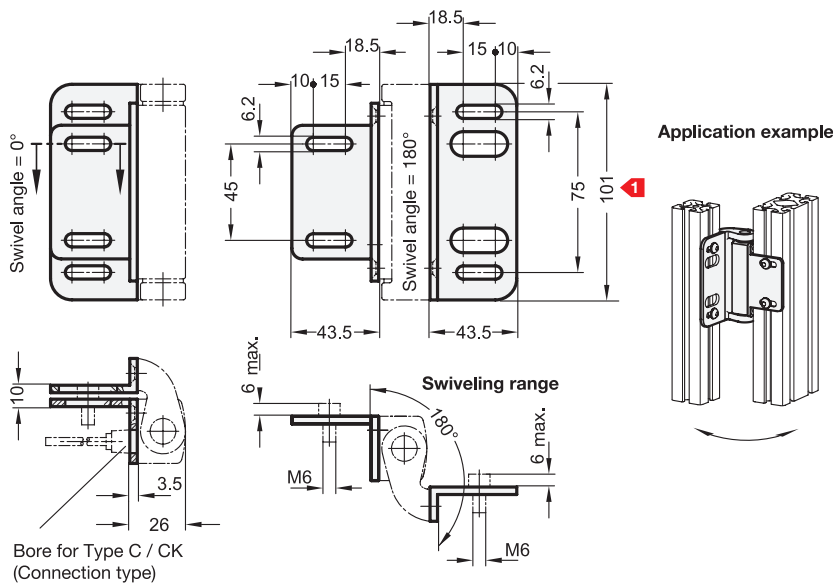


How to order

GN 139.3-170

1 Length

GN 139.4



How to order

GN 139.4-101

1 Length

Specification

- **GN 139.3**
Steel, zinc plated
Powder coated
Silver metallic
- **GN 139.4**
Zinc die-cast
Powder coated
Silver metallic
- **RoHS compliant**

Information

GN 139.3 flat mounting plates allow GN 139.1 and GN 139.2 hinges to be attached from the front. GN 139.4 angled mounting plates allow GN 139.1 and GN 139.2 hinges to be attached between frame and door, i.e., in the door gap. The long slotted holes also permit attachment to profile systems. Countersunk screws to assemble the hinges to the mounting plate are included.

see also...

- *Product Family Standard Parts for Profile Systems* → page 18
- *Hinges GN 139.1 with Safety Switch* → page 1424
- *Hinges GN 139.2 without Switch* → page 1424