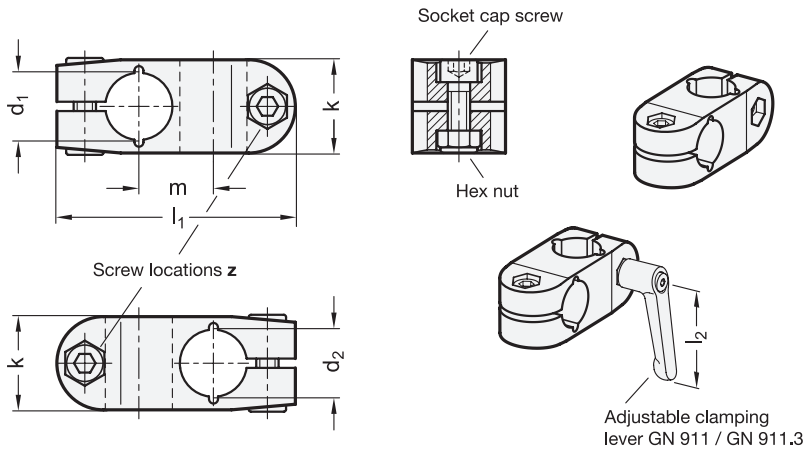


GN 131

Aluminum / Stainless Steel

Two-Way Connector Clamps



SS Stainless Steel

3 Identification no.

2 With 2 stainless steel socket cap screws DIN 912

Specification



- Body
Aluminum
- Powder coated
Black, RAL 9005, textured finish **● SW**
- Plain, matte shot-blasted finish **○ BL**
- Body
Stainless steel AISI CF-8 **NI**
Matte shot-blasted finish
(only available in metric sizes)
- Socket cap screws DIN 912
Stainless steel AISI 304
- Hex nuts DIN 985
Stainless steel AISI 304
Self-locking via polyamide ring
- *Stainless Steel Characteristics* → page 2143
- **RoHS compliant**

Information

The clamping bores of GN 131 two-way connector clamps are mechanically machined and designed for GN 990 or DIN 2391, DIN 2395 and DIN 2462 construction tubes.

At the screw locations **z**, the socket cap screws reduce the bore cross-section for clamping.

For clamping without tools, the socket cap screws can be replaced by the GN 911 / GN 911.3 adjustable levers listed in the table as accessories.

see also...

- *Two-Way Mounting Clamps GN 474* → page 1821
- *Construction Tubes GN 990* → page 1836
- *Rods / Tubes GN 480.1* → page 1838
- *Two-Way Linear Actuator Connectors GN 131.1 / GN 131.2* → www.jwwinco.com

Accessory

- Adjustable levers GN 911 → page 1810
- Adjustable levers GN 911.3 → page 1811

On request

- d_1 / d_2 with unequal bores

| | |
|--------------------------------|----------------------|
| How to order (Aluminum) | 1 Bore d_1 |
| GN 131-B1/2-B1/2-2-BL | 2 Bore d_2 |
| | 3 Identification no. |
| | 4 Finish |
| How to order (Stainless steel) | 1 Bore d_1 |
| GN 131-B18-B18-2-NI | 2 Bore d_2 |
| | 3 Identification no. |
| | 4 Material |

Inch table

1

2

Dimensions in: inches - *millimeters*

| d ₁ Bore Aluminum | d ₂ Bore Aluminum | k Clamping length | l ₁ | m | z Screw locations for screw size | Accessory Recommended lever GN 911 for z | |
|------------------------------------|------------------------------------|-------------------------|----------------|------------|--|---|------------|
| | | | | | | l ₂ | |
| B 1/2 | B 1/2 | 0.98 25 | 2.52 64 | 0.79 20 | M6-20 | 1.77 45 | 2.48 63 |
| B 5/8 | B 5/8 | 0.98 25 | 2.52 64 | 0.79 20 | M6-20 | 1.77 45 | 2.48 63 |
| B 3/4 | B 3/4 | 0.98 25 | 2.52 64 | 0.79 20 | M6-20 | 1.77 45 | 2.48 63 |

Metric table

1

2

Dimensions in: millimeters - *inches*

| d ₁ Bore | | d ₂ Bore | | k Clamping length | l ₁ | m | z Screw locations for screw size | Accessory Recommended lever for z | | | |
|------------------------|-----------------|------------------------|-----------------|-------------------------|----------------|------------|---|---------------------------------------|---------------------------------------|--|--|
| Aluminum | Stainless steel | Aluminum | Stainless steel | | | | | GN 911 for aluminum l ₂ | GN 911 for aluminum l ₂ | GN 911.3 for stainless steel l ₂ | GN 911.3 for stainless steel l ₂ |
| B 10 | - | B 10 | - | 25 0.98 | 64 2.52 | 20 0.79 | M6-20 | 63 2.48 | - | - | - |
| B 12 | B 12 | B 12 | B 12 | 25 0.98 | 64 2.52 | 20 0.79 | M6-20 | 45 1.77 | 63 2.48 | - | - |
| B 14 | B 14 | B 14 | B 14 | 25 0.98 | 64 2.52 | 20 0.79 | M6-20 | 45 1.77 | 63 2.48 | - | - |
| B 15 | B 15 | B 15 | B 15 | 25 0.98 | 64 2.52 | 20 0.79 | M6-20 | 45 1.77 | 63 2.48 | - | - |
| B 16 | B 16 | B 16 | B 16 | 25 0.98 | 64 2.52 | 20 0.79 | M6-20 | 45 1.77 | 63 2.48 | - | - |
| B 18 | B 18 | B 18 | B 18 | 25 0.98 | 64 2.52 | 20 0.79 | M6-20 | 45 1.77 | 63 2.48 | 45 1.77 | 63 2.48 |
| - | B 20 | - | B 20 | 25 0.98 | 64 2.52 | 20 0.79 | M6-20 | - | - | 45 1.77 | 63 2.48 |

