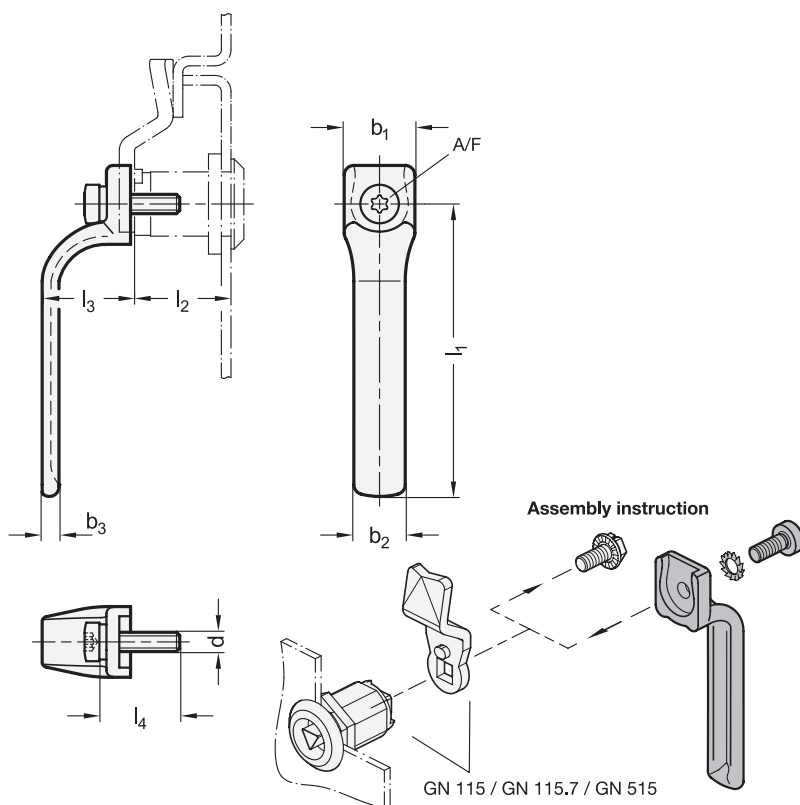


GN 120.3 Internal Cabinet Handles

Zinc Die-Cast, for Latches



Metric table

Dimensions in: millimeters - inches

² l ₁	³ l ₂ Housing length	b ₁	b ₂	b ₃	d Thread	l ₃	l ₄	A/F Torx	Suitable for*
90 3.54	18 0.71	22 0.87	16 0.63	5 0.2	M 6	28 1.1	12 0.47	T30	GN 115 / GN 115.7
90 3.54	30 1.18	22 0.87	16 0.63	5 0.2	M 6	28 1.1	25 0.98	T30	GN 515
90 3.54	40 1.57	22 0.87	16 0.63	5 0.2	M 6	28 1.1	35 1.38	T30	GN 515
90 3.54	50 1.97	22 0.87	16 0.63	5 0.2	M 6	28 1.1	45 1.77	T30	GN 515
90 3.54	60 2.36	22 0.87	16 0.63	5 0.2	M 6	28 1.1	55 2.17	T30	GN 515

* Except for lockable types

Specification

- Body
Zinc die-cast **ZD**
Powder coated
 - Black, RAL 9005, textured finish **SW**
 - Red, RAL 3000, textured finish **RS**
- Pan head screw and serrated washer
Stainless steel AISI 304
- Stainless Steel Characteristics → page QVX
- RoHS compliant

Information

Internal cabinet handles GN 120.3 allow non-lockable latches to be opened from the back side as well. This is necessary, for example, for machine enclosures or maintenance openings.

The internal cabinet handle is fastened to the back side of the latch using the supplied screw and serrated washer. For this purpose, the existing screw on the latch must be removed.

All compatible latches are listed in the table. For latches GN 115 und GN 115.7, the housing length is always 18 mm.

see also...

- List of Cam Latches / Cam Locks Types → page XYZ

How to order

GN 120.3-ZD-90-18-SW

- | | |
|---|-------------------------------|
| 1 | Material |
| 2 | Length l ₁ |
| 3 | Housing length l ₂ |
| 4 | Color |