

Metric



SS Stainless Steel

1 Type

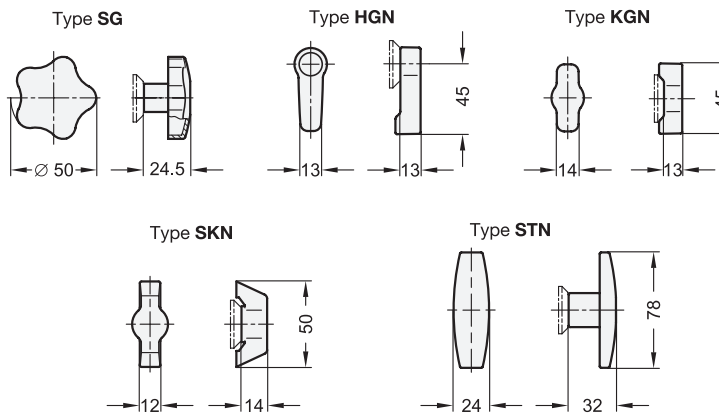
- SG** With hand knob
- KGN** With wing knob
- HGN** With lever
- SKN** With wing knob
- STN** With T-handle

3 Hook version

- H1** Pivoting radius R=28mm

5 Identification no.

- 1** Without latch bracket
- 2** With latch bracket



Metric table

2

Dimensions in: millimeters / inches

Hook distance A	d		h	
	Type SG / KGN / HGN	Type SKN / STN	Type SG / KGN / HGN	Type SKN / STN
18 0.71	28 1.10	32 1.26	4 0.16	6 0.24

* Dimensions of the latch bracket, see page XYZ

Specification

4

Cam latch housing

- Stainless steel
- AISI 303 for type SG / KGN / HGN
- AISI 316 for type SKN / STN

N

Operating elements

- Stainless steel AISI 304 for type SG
Sheet metal drawn / Hub welded
- Stainless steel AISI CF-8 for type KGN / HGN
- Stainless steel AISI 316 for type SKN / STN

Other parts

Stainless steel AISI 304

RoHS

On request

- Cam latches with other hook distance A
- Hook with other pivoting radius R

Cam latches with hook GN 115.8 and latch bracket are mainly used for sliding doors and flaps. The latching action is in a radial direction to the axis of rotation, resulting in a wide variety of different uses.

The latches GN 115.8 are supplied with loosely enclosed hook.

see also...

	Page
GN 115.8 Cam Latches with Hook (Zinc Die-Cast, with Operating Element)	QVX

Technical Information

Construction and Assembly Instructions	QVX
List of Cam Latch / Cam Lock Types	QVX
IP Protection Classes	QVX
Stainless Steel Characteristics	QVX

How to order

GN 115.8-HGN-18-H1-N-1

1	Type
2	Hook distance A
3	Hook version
4	Material
5	Identification no.