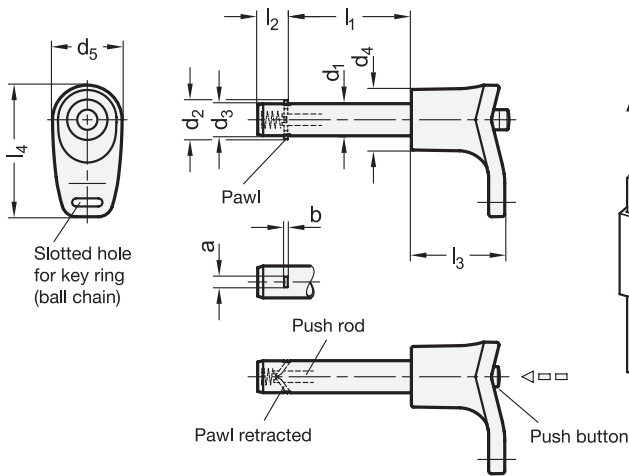
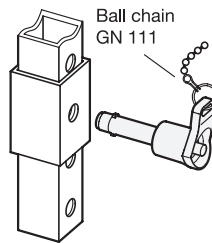


Metric



Application example



SS Stainless Steel

Metric table

Dimensions in: millimeters / inches

d₁ -0.1	l₁ +0.4 Minimum size												a	b	d₂	d₃	d₄	d₅	l₂	l₃	l₄			
6	10	12	16	20	25	30	35	40	45	50	60	70	80	-	-	2.3	0.5	7.3 +0.5	5.9	15	17.5	7	23	32.5
0.236	0.39	0.47	0.63	0.79	0.98	1.18	1.38	1.57	1.77	1.97	2.36	2.76	3.15	-	-	0.09	0.02	0.29 +0.02	0.23	0.59	0.69	0.28	0.91	1.28
8	10	16	20	25	30	35	40	45	50	60	70	80	90	100	-	2.8	0.6	9.8 +0.5	7.9	15	17.5	8.4	23	32.5
0.315	0.39	0.63	0.79	0.98	1.18	1.38	1.57	1.77	1.97	2.36	2.76	3.15	3.54	3.94	-	0.11	0.02	0.39 +0.02	0.31	0.59	0.69	0.33	0.91	1.28
10	15	20	25	30	35	40	45	50	60	70	80	90	100	110	120	3.3	1	11.7 +1	9.9	18	23	9.8	30.5	43.5
0.394	0.59	0.79	0.98	1.18	1.38	1.57	1.77	1.97	2.36	2.76	3.15	3.54	3.94	4.33	4.72	0.13	0.04	0.46 +0.04	0.39	0.71	0.91	0.39	1.20	1.71
12	20	25	30	35	40	45	50	60	70	80	90	100	110	120	-	3.8	1	13.7 +1	11.9	18	23	11.3	30.5	43.5
0.472	0.79	0.98	1.18	1.38	1.57	1.77	1.97	2.36	2.76	3.15	3.54	3.94	4.33	4.72	-	0.15	0.04	0.54 +0.04	0.47	0.71	0.91	0.44	1.20	1.71
16	30	35	40	45	50	60	70	80	90	100	110	120	130	140	150	4.8	1.2	18.7 +1	15.9	22	30.5	14.2	38.5	58
0.630	1.18	1.38	1.57	1.77	1.97	2.36	2.76	3.15	3.54	3.94	4.33	4.72	5.12	5.51	5.91	0.19	0.05	0.74 +0.04	0.63	0.87	1.20	0.56	1.52	2.28
20	30	35	40	45	50	60	70	80	90	100	110	120	130	140	150	4.8	1.2	22.7 +1	19.8	25	30.5	14.8	38.5	58
0.787	1.18	1.38	1.57	1.77	1.97	2.36	2.76	3.15	3.54	3.94	4.33	4.72	5.12	5.51	5.91	0.19	0.05	0.89 +0.04	0.78	0.98	1.20	0.58	1.52	2.28

Specification

Shank pin

Stainless steel AISI 303

Securing pawl

Stainless steel sheet AISI 304

L-handle

Plastic, polyamide (PA)

- Black
- Operating temperature up to 176 °F (80 °C)

Push button / Push rod

Plastic, polyacetal (POM)

- Push button: Red
- Operating temperature up to 176 °F (80 °C)

Bushing

Stainless steel AISI 303

Spring

Stainless steel AISI 302

RoHS

Accessory

Page

GN 111 Ball Chains	QVX
GN 111.2 Retaining Cables	QVX
GN 111.4 Spiral Retaining Cables	QVX

Rapid release pins GN 114.12 with axial lock are used to quickly fix, connect and secure various components. Typically, they are used as bearing bolts that have to be frequently assembled and disassembled.

The rectangular pawls made of stainless steel sheet metal hold the rapid release pin in an axial position in the bore. They are retracted with the push button and when released, the spring returns them to the locked position. The pawls are not aligned with the T-handle.

The technical section contains the load ratings for the double shear strength (breaking strength).

see also...

DIN 172 Press-Fit Drill Bushings (with Flange)	QVX
DIN 179 Press-Fit Drill Bushings (without Flange)	QVX

Technical Information

List of Lock Pin Types	QVX
Load Rating Information	QVX
Plastic Characteristics	QVX
Stainless Steel Characteristics	QVX

How to order

GN 114.12-6-12

1 Diameter d₁

2 Length l₁