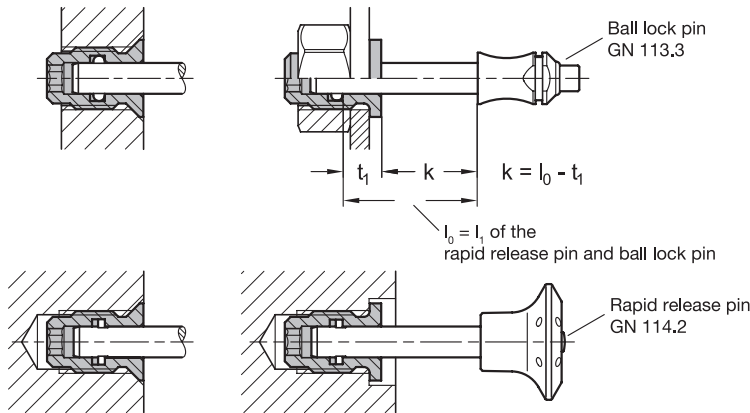


Metric



**Application examples**



**SS** Stainless Steel

**3 Type**

- B** With flange
- S** With countersunk head

**Metric table**

<b>1</b> $d_1$	<b>2</b> $d_2$	$d_3$	$d_4$	$d_5$	$d_6$	$l_1 \approx$	$l_2$	$l_3$	A/F	$t_1$	$t_2$	$t_3$
5 $+0.10$ $+0.02$ 0.1969 $+0.0039$ $+0.0008$	M 12	16 0.63	18 0.71	9.4 0.37	6.5 0.26	16.5 0.65	21 0.83	2 0.08	4	10 0.39	1.5 0.06	17.5 0.69
6 $+0.10$ $+0.02$ 0.2362 $+0.0039$ $+0.0008$	M 14	18 0.71	20 0.79	11.4 0.45	8.2 0.32	17.5 0.69	23 0.91	2 0.08	5	10 0.39	2.5 0.10	18.5 0.73
8 $+0.10$ $+0.02$ 0.3150 $+0.0039$ $+0.0008$	M 16	20 0.79	22 0.87	13 0.51	11.1 0.44	19.5 0.77	25 0.98	3 0.12	6	10 0.39	3 0.12	20.5 0.81
10 $+0.15$ $+0.05$ 0.3937 $+0.0039$ $+0.0020$	M 20	25 0.98	27 1.06	16.4 0.65	13.4 0.53	21.5 0.85	28 1.10	3 0.12	8	10 0.39	4 0.16	22 0.87
12 $+0.15$ $+0.05$ 0.4724 $+0.0059$ $+0.0020$	M 24	30 1.18	32 1.26	19.6 0.77	15.4 0.61	29.5 1.16	39 1.54	4 0.16	10	20 0.79	5 0.20	33.5 1.32
16 $+0.15$ $+0.05$ 0.6299 $+0.0059$ $+0.0020$	M 30	36 1.42	38 1.50	25 0.98	20.3 0.80	33.5 1.32	43 1.69	4 0.16	10	20 0.79	7 0.28	36.5 1.44

Dimensions in: millimeters / inches

**Specification**

Stainless steel AISI 303

**4**

**NI**

RoHS

**Technical Information**

**Page**

List of Lock Pin Types

QVX

Plastic Characteristics

QVX

Stainless Steel Characteristics

QVX

Holding bushings GN 1140 are designed for ball lock pins, such as GN 113.3, or rapid release pins GN 114.2. They are used when the existing wall thickness is thin or for installation in a blind hole. They also provide reinforcement when the locking pin or ball lock pin is used with soft, sensitive materials.

Type B establishes a defined screw-in depth due to the flange. Type S with countersunk head allows for centered, flush installation in an easily created hole.

The holding bushings fit the following rapid release pins and ball lock pins: GN 113.3, GN 113.4, GN 113.5, GN 113.6, GN 113.7, GN 113.8, GN 113.9, GN 113.10, GN 113.11, GN 113.12, GN 113.30, GN 114.2, GN 114.3, GN 114.6, GN 124.2, GN 124.3, GN 214.2, GN 214.3, GN 214.6

**How to order**

**GN 1140-10-M20-S-NI**

- 1** Diameter  $d_1$
- 2** Thread  $d_2$
- 3** Type
- 4** Material