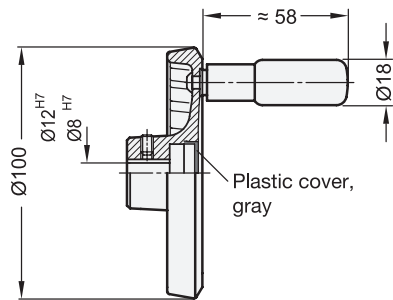
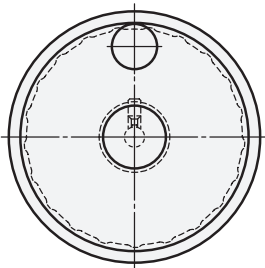


Flat-Faced Solid Disk Handwheel for
 - Linear Actuator Ø 18 mm
 - Double Tube Linear Actuator Ø 18 mm
 GN 923.18-80-K6-R

Specification

see GN 923

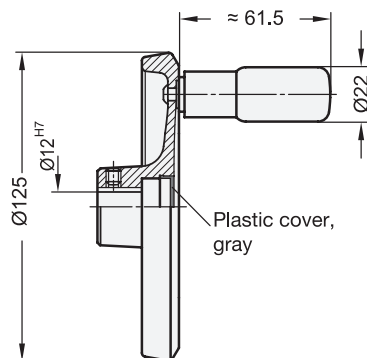
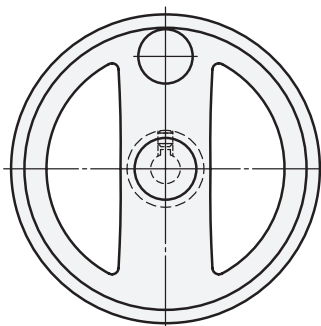


Flat-Faced Solid Disk Handwheel for
 - Linear Actuator Ø 30 mm / \square 30 mm
 - Double Tube Linear Actuator Ø 30 mm
 GN 923.30-100-K8-R

Flat-Faced Solid Disk Handwheel for
 - Linear Actuator Ø 40 mm / \square 40 mm
 - Double Tube Linear Actuator Ø 40 mm
 GN 923.40-100-K12-R

Specification

see GN 923



Flat-Faced Spoked Handwheel for
 - Linear Actuator Ø 40 mm / \square 40 mm
 - Double Tube Linear Actuator Ø 40 mm
 GN 924.40-125-K12-R

Specification

see GN 924