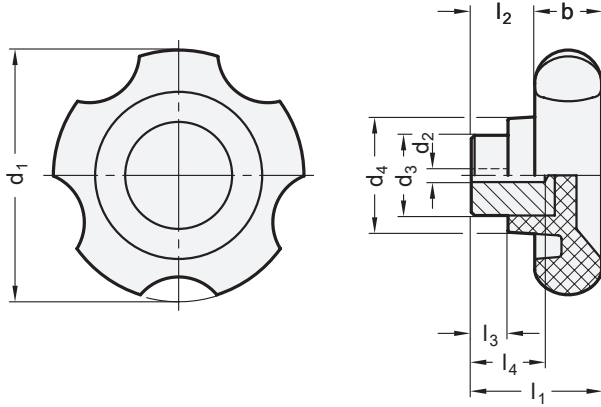


Universal



Universal table

Dimensions in: millimeters / inches

d <sub>1</sub>	d <sub>2</sub> Pilot hole	d <sub>3</sub>	d <sub>4</sub>	b	l <sub>1</sub>	l <sub>2</sub>	l <sub>3</sub>	l <sub>4</sub>
60 2.36	P 4	20 0.79	30 1.18	16 0.63	32 1.26	16 0.63	10 0.39	15 0.59
75 2.95	P 4	24 0.94	34 1.34	20 0.79	39 1.54	19 0.75	11 0.43	22 0.87
90 3.54	P 6	32 1.26	44 1.73	20 0.79	42 1.65	22 0.87	12 0.47	25 0.98

Specification

Body

- Plastic, Phenolic (PF)
- Operating temperature up to 266 °F (130 °C)
- Black, shiny finish

Hub bushing

Steel, zinc plated

RoHS

On request

- Other modifications such as inch and metric blind bores, threads, etc.

Five-lobed control knobs VU are ideally suited for light-medium duty adjusting or clamping applications.

see also...

	Page
VUA Five-Lobed Control Knobs	QVX
VUM Five-Lobed Control Knobs	QVX

Technical Information

Keyways WN 6885 / DIN 6885-1	QVX
Plastic Characteristics	QVX

How to order

VU-60-P4

- 1 Knob diameter d<sub>1</sub>
- 2 Pilot hole d<sub>2</sub>

1.1  
1.2  
1.3  
1.4  
2.1  
2.2  
2.3  
2.4

