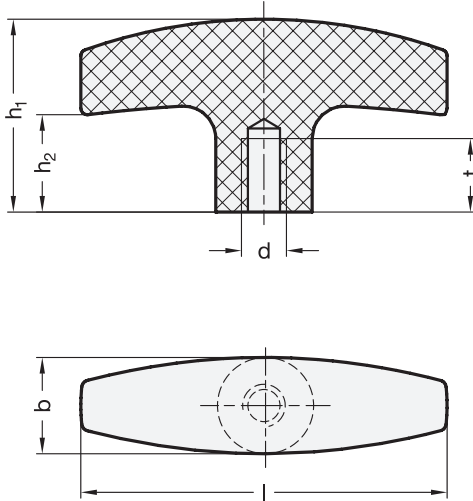


Metric



Metric table

Dimensions in: millimeters / inches

Length ¹ l	d ²	h ₁	h ₂	b	t
57 2.24	M 6	30 1.18	16 0.63	15 0.59	13 0.51
57 2.24	M 8	30 1.18	16 0.63	15 0.59	15 0.59

Specification

- Plastic, nylon
- Operating temperature up to 230 °F (110 °C)
 - Black, matte finish
 - Glass filled
 - Molded-in thread

RoHS

On request

- Special stud assemblies (glued into place)

The wide surface area of T-bar knobs TIR allow for positive low profile clamping.

Resistant to solvents, oils, grease and other chemical agents.

see also...

GN 563.2 T-Handles (Aluminum)

Page

QVX

Technical Information

Plastic Characteristics

QVX

How to order

TIR-57-M6

¹ Handle length l

² Thread d

1.1
1.2
1.3
1.4
2.1
2.2
2.3
2.4

