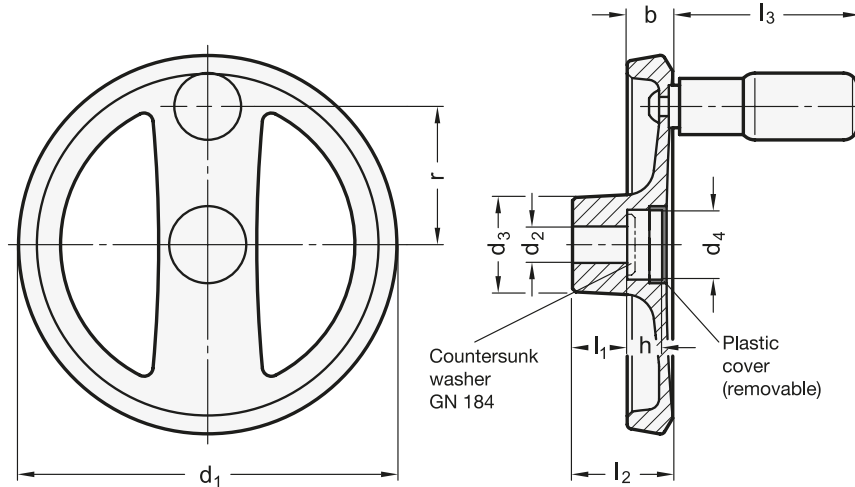


GN 924 Flat-Faced Spoked Handwheels

Aluminum, with or without Revolving Handle



2 Bore code

B Without keyway

4 Type

A Without handle

R With revolving handle

Specification



- Aluminum die-cast
 - Contact face of hub machined
 - Rim turned
 - Powder coated
 - Black, RAL 9005, textured finish **● SW**
 - Silver, RAL 9006, textured finish **● SR**
- Rim concentric and square to bore < 0.4 mm
- Stepped cylindrical revolving handles GN 798.2
 - Plastic, Technopolymer
 - Black, matte finish
 - Tapped spindle
 - Steel, zinc plated, blue passivated finish
- RoHS compliant

Information

GN 924 flat-faced spoked handwheels are distinguished by their modern design.

The removable plastic cover shrouds the mounting components such as screws, countersunk washers as well as the shaft end.

No mounting hole in rim for handwheel without handle. Handle shipped loose; mounting of handle is required.

see also...

- Two Spoked Handwheels GN 322 (Aluminum, Rim Highly Polished)

Accessory

- GN 184 countersunk washers

On request

- Other modifications such as special inch and metric bores, keyways, set screw holes, etc.

How to order (Inch)

GN 924-140-B5/8-A-SW

- | | |
|---|--------------------------|
| 1 | Handwheel diameter d_1 |
| 2 | Bore code |
| 3 | Bore diameter d_2 |
| 4 | Type |
| 5 | Color |

How to order (Metric)

GN 924-200-B18-R-SR

- | | |
|---|--------------------------|
| 1 | Handwheel diameter d_1 |
| 2 | Bore code |
| 3 | Bore diameter d_2 |
| 4 | Type |
| 5 | Color |

Inch table

1 **3**

Dimensions in: inches - *millimeters*

d₁	d₂ +0.001 Bore	d₃	d₄	b	h	l₁	l₂ ≈	l₃ ≈	r	Ø Handle GN 798.2	Recommended countersunk washer
4.92 <i>125</i>	1/2	1.22 <i>31</i>	.91 <i>23</i>	.59 <i>15</i>	.43 <i>11</i>	.71 <i>18</i>	1.32 <i>33.5</i>	2.42 <i>61.5</i>	1.79 <i>45.5</i>	.87 <i>22</i>	184-20
5.51 <i>140</i>	5/8	1.42 <i>36</i>	1.12 <i>28.5</i>	.65 <i>16.5</i>	.51 <i>13</i>	.75 <i>19</i>	1.44 <i>36.5</i>	3.01 <i>76.5</i>	2.05 <i>52</i>	.94 <i>24</i>	184-25
6.30 <i>160</i>	5/8	1.42 <i>36</i>	1.12 <i>28.5</i>	.71 <i>18</i>	.57 <i>14.5</i>	.79 <i>20</i>	1.56 <i>39.5</i>	3.01 <i>76.5</i>	2.40 <i>61</i>	.94 <i>24</i>	184-25
7.87 <i>200</i>	3/4	1.65 <i>42</i>	1.42 <i>36</i>	.81 <i>20.5</i>	.63 <i>16</i>	.94 <i>24</i>	1.79 <i>45.5</i>	3.35 <i>85</i>	3.05 <i>77.5</i>	.98 <i>25</i>	184-32

Metric table

1 **3**

Dimensions in: millimeters - *inches*

d₁	d₂ H7 Bore		d₃	d₄	b	h	l₁	l₂ ≈	l₃ ≈	r	Ø Handle GN 798.2	Recommended countersunk washer
125 <i>4.92</i>	12	14	31 <i>1.22</i>	23 <i>.91</i>	15 <i>.59</i>	11 <i>.43</i>	18 <i>.71</i>	33.5 <i>1.32</i>	61.5 <i>2.42</i>	45.5 <i>1.79</i>	22 <i>.87</i>	184-20
140 <i>5.51</i>	14	16	36 <i>1.42</i>	28.5 <i>1.12</i>	16.5 <i>.65</i>	13 <i>.51</i>	19 <i>.75</i>	36.5 <i>1.44</i>	76.5 <i>3.01</i>	52 <i>2.05</i>	24 <i>.94</i>	184-25
160 <i>6.30</i>	14	16	36 <i>1.42</i>	28.5 <i>1.12</i>	18 <i>.71</i>	14.5 <i>.57</i>	20 <i>.79</i>	39.5 <i>1.56</i>	76.5 <i>3.01</i>	61 <i>2.40</i>	24 <i>.94</i>	184-25
200 <i>7.87</i>	18	20	42 <i>1.65</i>	36 <i>1.42</i>	20.5 <i>.81</i>	16 <i>.63</i>	24 <i>.94</i>	45.5 <i>1.79</i>	85 <i>3.35</i>	77.5 <i>3.05</i>	25 <i>.98</i>	184-32

1.1
1.2
1.3
1.4
2.1
2.2
2.3
2.4

