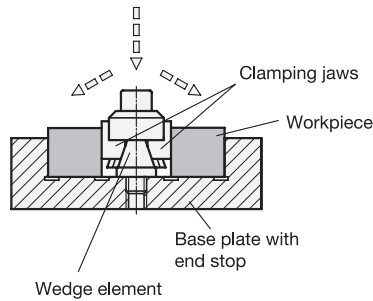


Metric



**Metric table**

1 l <sub>1</sub>	2 l <sub>2</sub>	3 d <sub>1</sub>	a		b		d <sub>2</sub> ∅	h <sub>1</sub> ≈	h <sub>2</sub>	l <sub>3</sub>	For wedge clamps GN 920.1 with:		
			Type GA / Type GL		Type RF						max.	d	b
			max.	min.	max.	min.							
25 0.98	32 1.26	M 8	44.5 1.75	39.5 1.56	39.5 1.56	34.5 1.36	21 0.83	18 0.71	27.5 1.08	4 0.16	7.5 0.30	M 8	21 0.83
29 1.14	32 1.26	M 8	44.5 1.75	39.5 1.56	39.5 1.56	34.5 1.36	25 0.98	18 0.71	27.5 1.08	4 0.16	7.5 0.30	M 8	25 0.98
36 1.42	32 1.26	M 8	44.5 1.75	39.5 1.56	39.5 1.56	34.5 1.36	32 1.26	18 0.71	27.5 1.08	4 0.16	7.5 0.30	M 8	32 1.26
44 1.73	32 1.26	M 8	44.5 1.75	39.5 1.56	39.5 1.56	34.5 1.36	40 1.57	18 0.71	27.5 1.08	4 0.16	7.5 0.30	M 8	40 1.57
44 1.73	32 1.26	M 12	45.5 1.79	40 1.57	45.5 1.79	40 1.57	40 1.57	23 0.91	38 1.50	5 0.20	11.5 0.45	M 12	40 1.57
54 2.13	32 1.26	M 8	44.5 1.75	39.5 1.56	39.5 1.56	34.5 1.36	50 1.97	18 0.71	27.5 1.08	4 0.16	7.5 0.30	M 8	50 1.97
54 2.13	32 1.26	M 12	45.5 1.79	40 1.57	45.5 1.79	40 1.57	50 1.97	23 0.91	38 1.50	5 0.20	11.5 0.45	M 12	50 1.97

**Specification**

**Plate**

Steel  
Blackened finish

**Socket cap screw ISO 4762**

Steel

**Spacer sleeve**

Steel

RoHS

Pull-down plates GN 920.2 allow wedge clamps GN 920.1 to clamp easily with a pull-down effect.

The socket head screw ISO 4762 and the spacer sleeve are included.

see also...

GN 920.1 Wedge Clamps

Page

QVX

**How to order**

1	Width l <sub>1</sub>
2	Length l <sub>2</sub>
3	Thread d <sub>1</sub>

**GN 920.2-36-32-M8**

