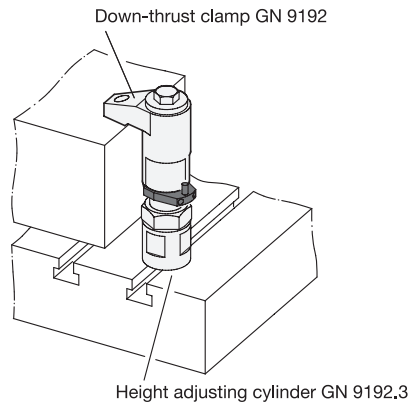
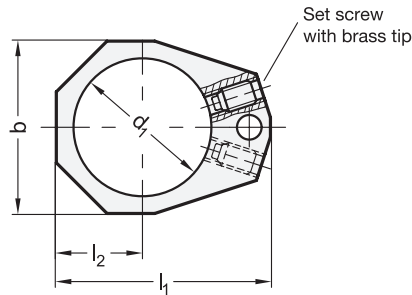


Application example



**Metric table**

Dimensions in: millimeters - inches

$d_0$ Down-thrust clamp Ø GN 9192	$d_1$	$h_1$	$b$	$d_2$	$h_2$	$l_1$	$l_2$
40 1.57	28 1.10	7 0.28	35 1.38	5 0.20	16 0.63	43.5 1.71	17.5 0.69

**Specification**

- Body  
Steel, blackened finish
- Set screws  
- Steel, blackened finish  
- Brass tip
- RoHS compliant

**Information**

Positioning ring GN 9192.2 limits the swiveling range of down-thrust clamps GN 9192 to 110° left or right via a positioning pin. The position of the ring can be adjusted to ensure that the clamping position is reached reliably when the clamp swivels against the positioning pin.

The positioning ring is secured with two set screws. The stroke of the down-thrust clamp is reduced by the height  $h_1$  of the positioning ring.

see also...

- *Down-Thrust Clamps GN 9192* → page QVX
- *Height Adjusting Cylinders GN 9192.3* → page QVX

How to order

**GN9192.2-28-7**

- 1 Diameter  $d_1$
- 2 Height  $h_1$