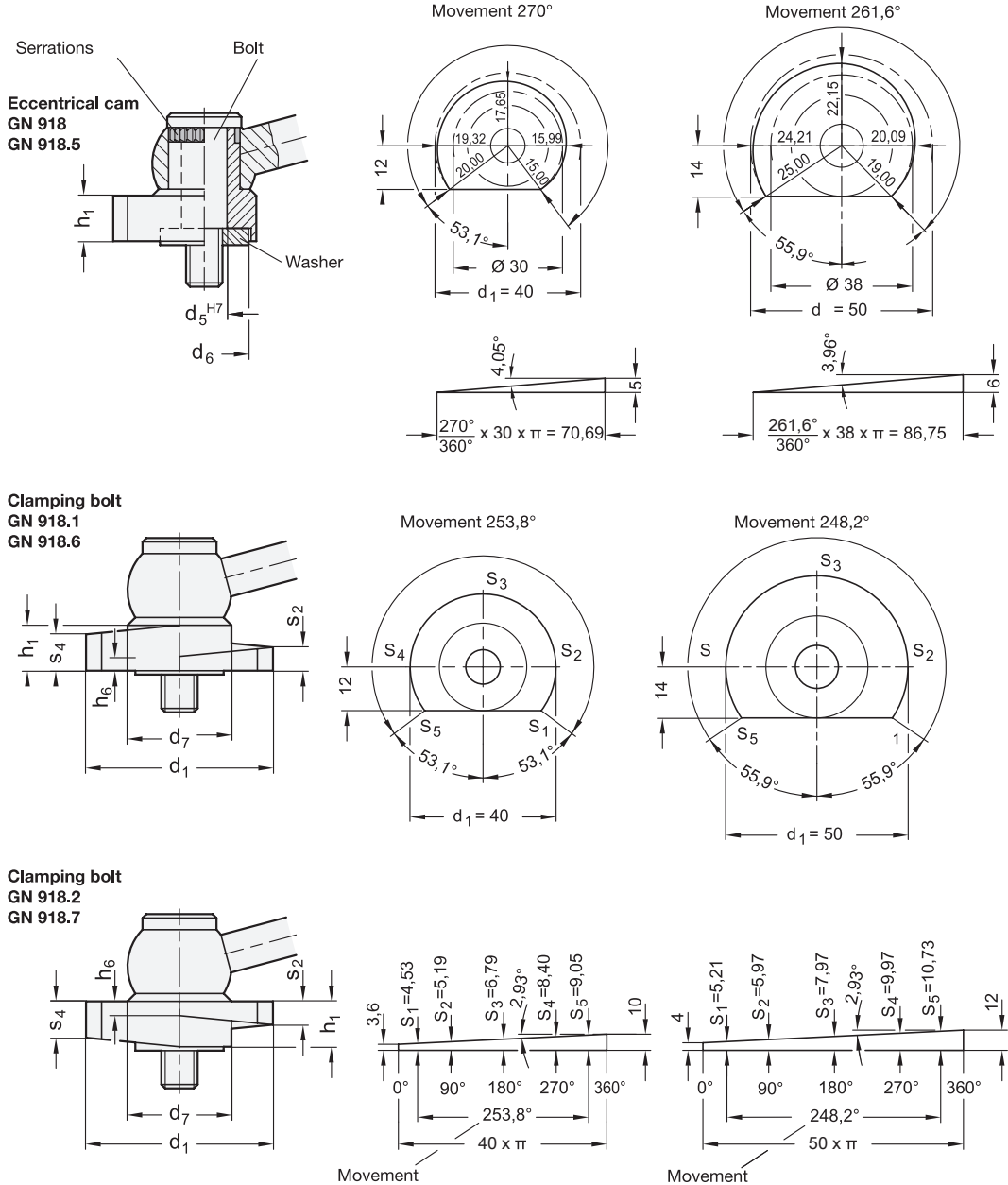


Drawn version: Type KV, Clamping direction R by clockwise rotation



$d_1 - 0,5$	d_5	d_6	d_7	h_1	h_6
40	10	20	24	10	3,6
50	12	24	28	12	4